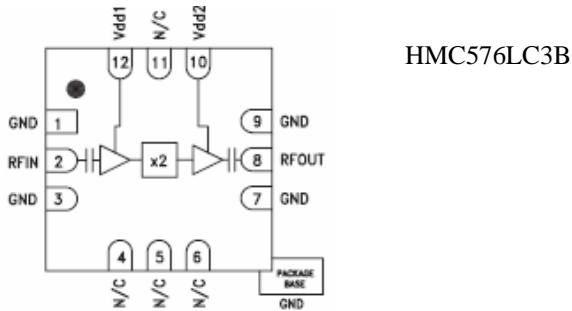


**RoHS Compliant & Pb Free Product**

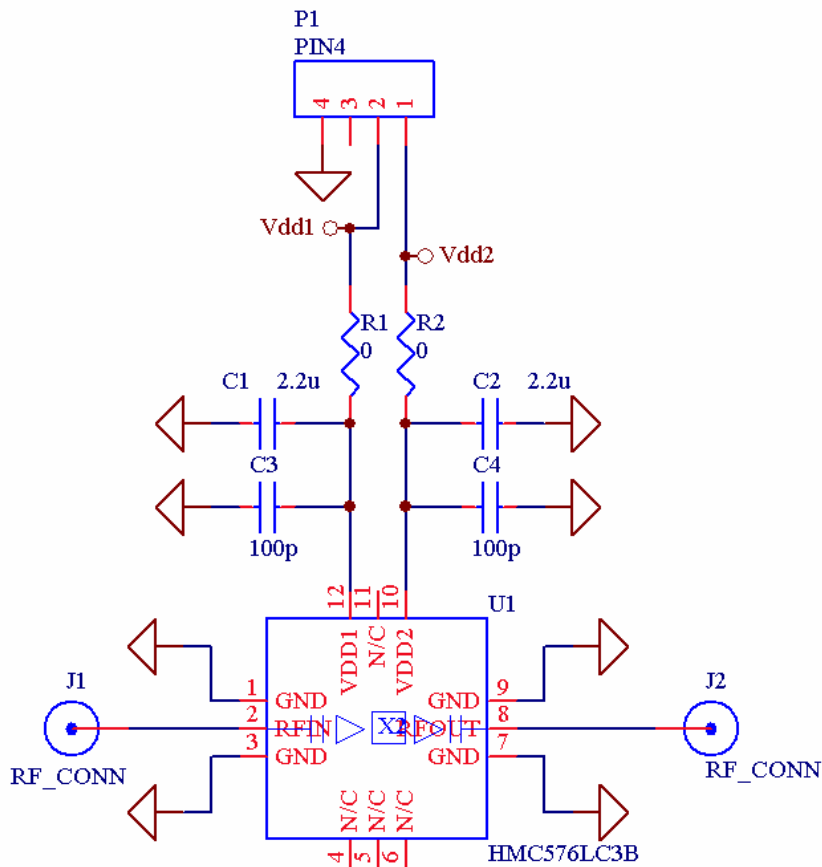
**MC1-MU05A:**

- Category: Multiplier
- Device Package: LC3B
- Cell Size: Single (1x1)
- PCB Material/Layer Details: RO4350/Single layer with thickness 0.020"

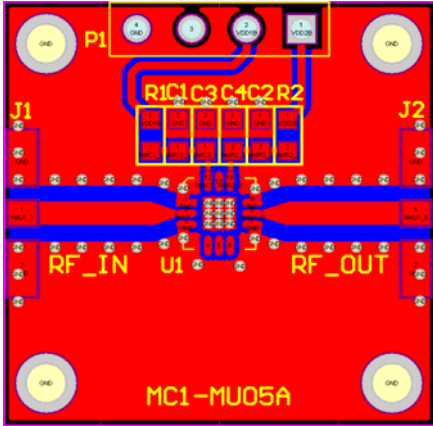
**Supported Device Package and Its Pin Allocation:**



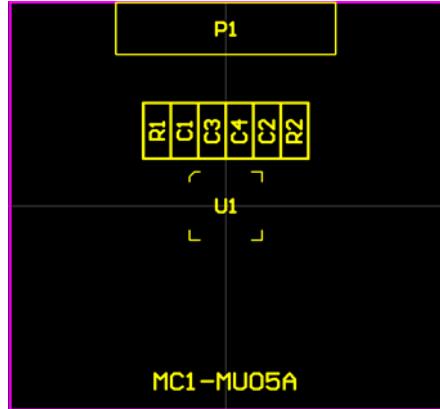
**Schematic:**



**MC1-MU05A PCB Layout:**



**MC1-MU05A Assembly Drawing:**



**Minimum supported devices and its vendors:**

Hitite
HMC576LC3B

**Bill of Material Example:**

Used	Part Type	Designator	Footprint
2	0	R1 R2	0603
2	2.2u	C1 C2	0603
2	100p	C3 C4	0603
1	HMC576LC3B	U1	LC3B
1	PIN4	P1	P2_CON4_S