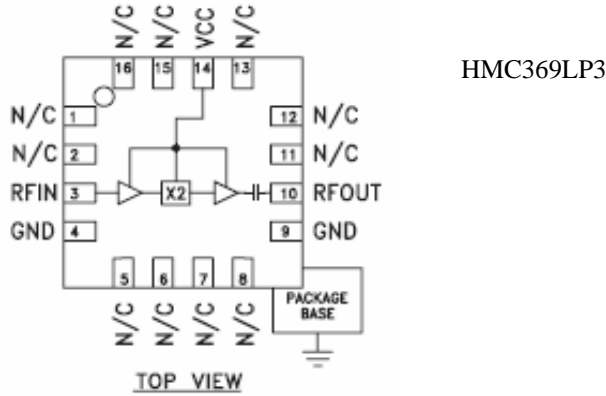


RoHS Compliant & Pb Free Product

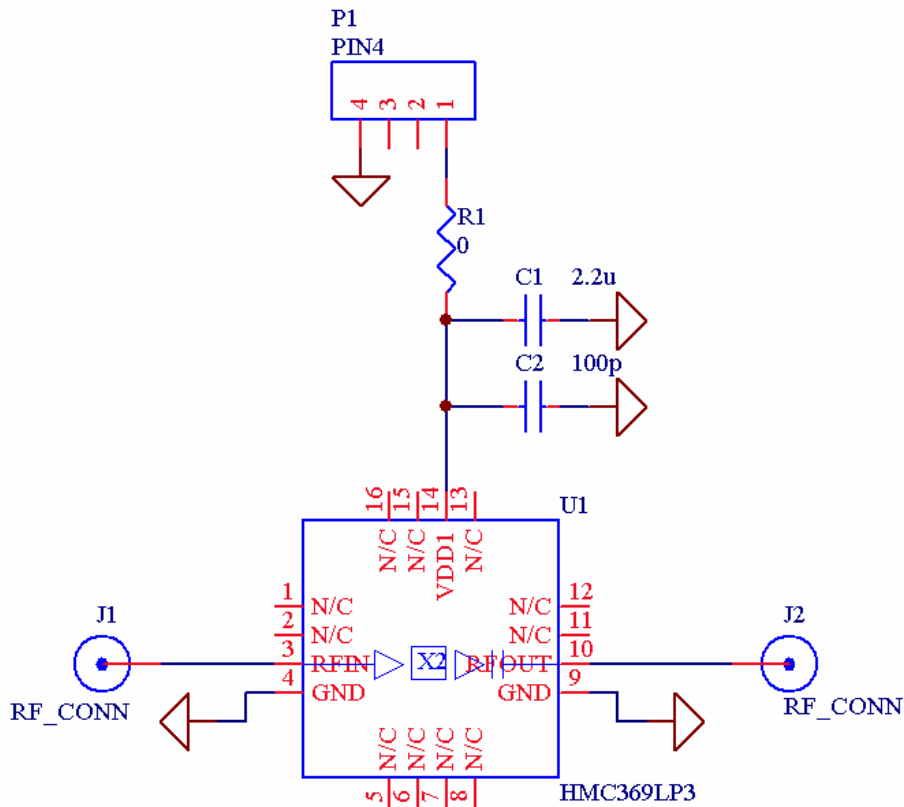
MC1-MU03A:

- Category: Multiplier
- Device Package: LP3
- Cell Size: Single (1x1)
- PCB Material/Layer Details: RO4350/Single layer with thickness 0.020"

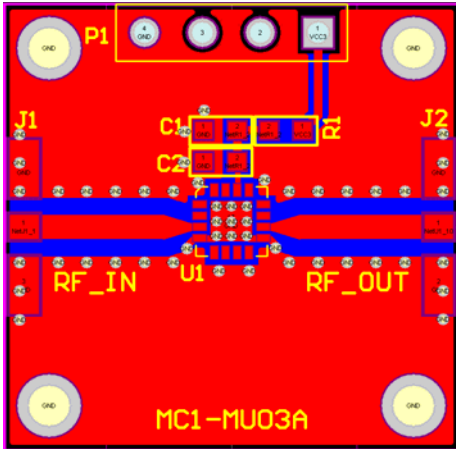
Supported Device Package and Its Pin Allocation:



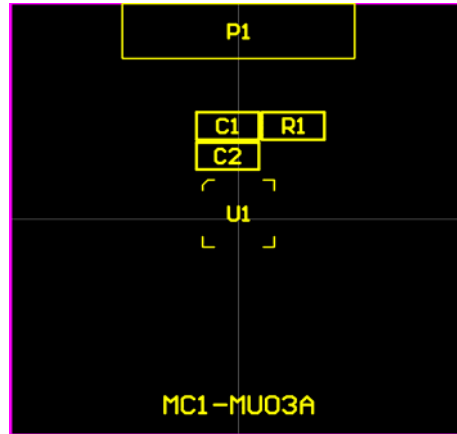
Schematic:



MC1-MU03A PCB Layout:



MC1-MU03A Assembly Drawing:



Minimum supported devices and its vendors:

Hittite
HMC369LP3

Bill of Material Example:

Used	Part Type	Designator	Footprint
1	0	R1	0603
1	2.2u	C1	0603
1	100p	C2	0603
1	HMC369LP3	U1	LP3
1	PIN4	P1	P2_CON4_S