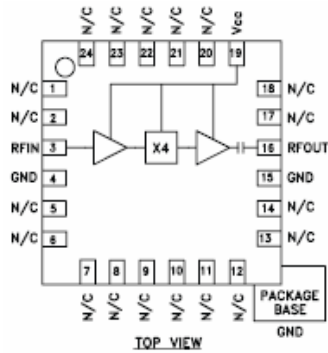


**RoHS Compliant & Pb Free Product**

**MC1-MU02A:**

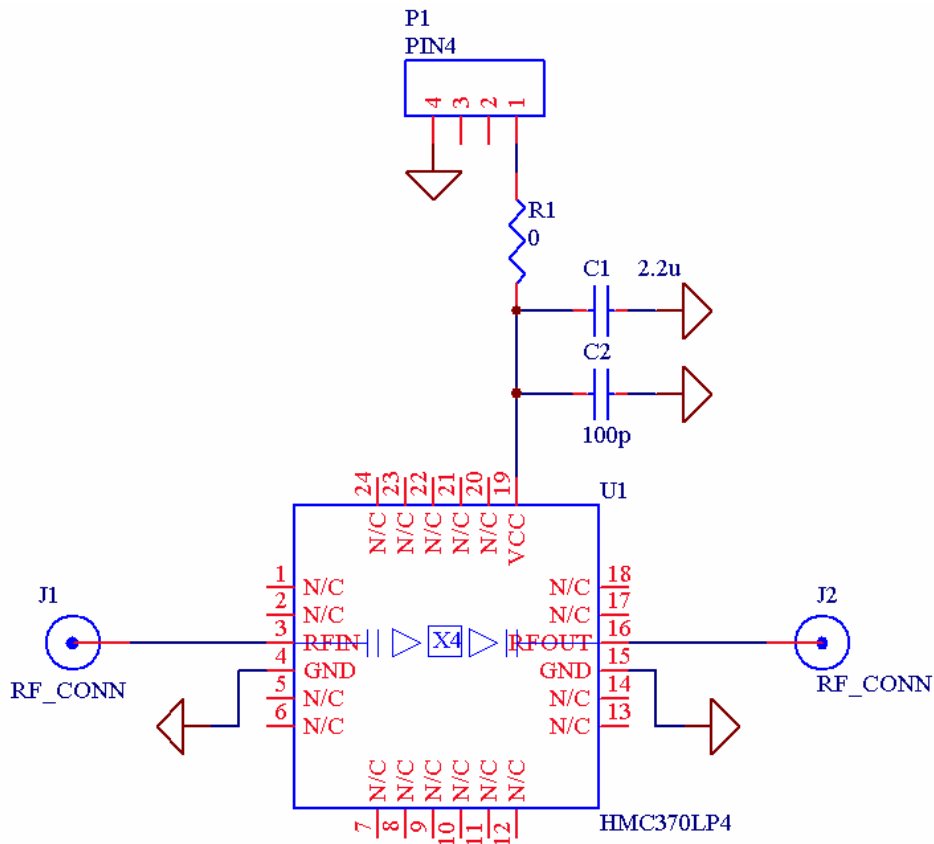
- Category: Multiplier
- Device Package: LP4
- Cell Size: Single (1x1)
- PCB Material/Layer Details: RO4350/Single layer with thickness 0.020"

**Supported Device Package and Its Pin Allocation:**



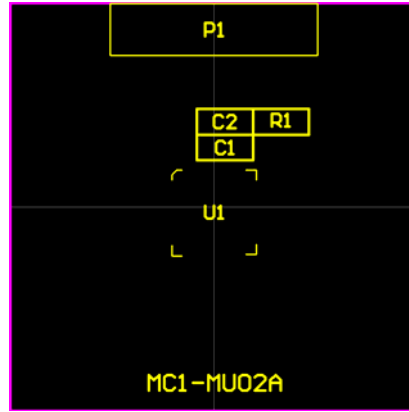
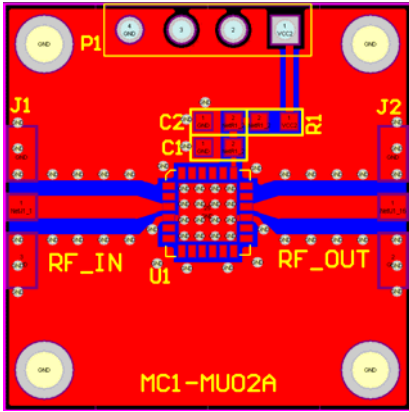
HMC370LP4  
HMC443LP4  
HMC444LP4

**Schematic:**



**MC1-MU02A PCB Layout:**

**MC1-MU02A Assembly Drawing:**



**Minimum supported devices and its vendors:**

<b>Hittite</b>
HMC370LP4
HMC443LP4
HMC444LP4

**Bill of Material Example:**

Used	Part Type	Designator	Footprint
1	0	R1	0603
1	2.2u	C1	0603
1	100p	C2	0603
1	HMC370LP4	U1	LP4
1	PIN4	P1	P2_CON4_S