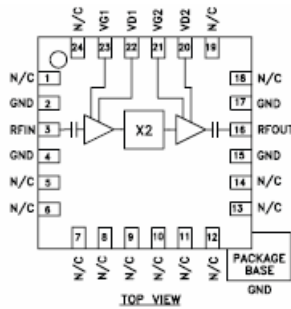


RoHS Compliant & Pb Free Product

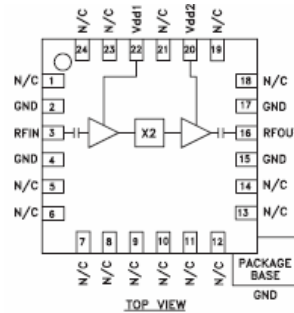
MC1-MU01A:

- Category: Multiplier
- Device Package: LP4
- Cell Size: Single (1x1)
- PCB Material/Layer Details: RO4350/Single layer with thickness 0.020"

Supported Device Package and Its Pin Allocation:

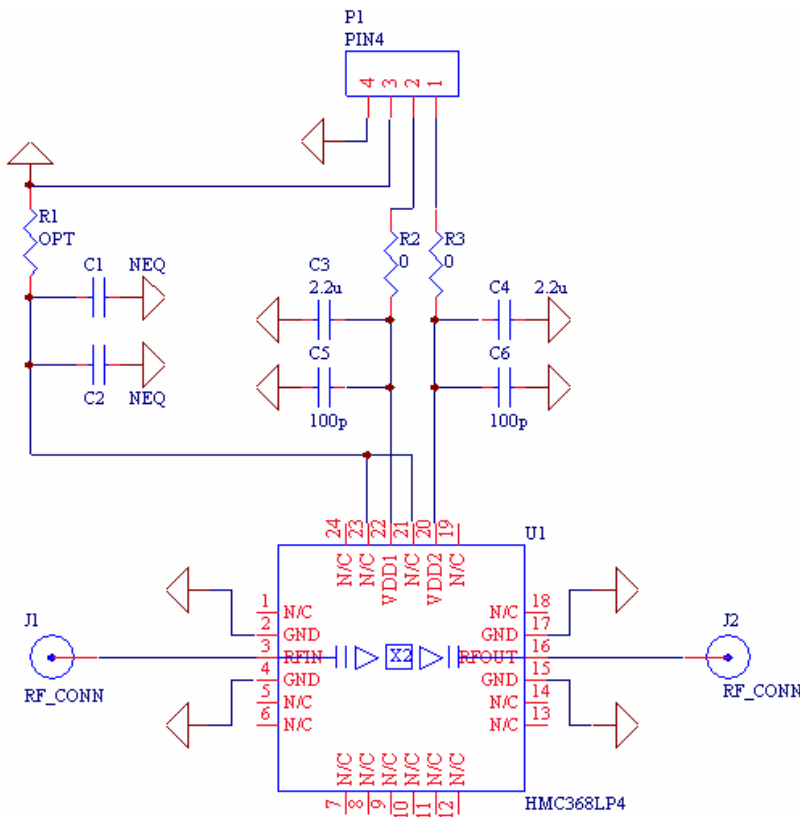


HMC368LP4



HMC575LP4

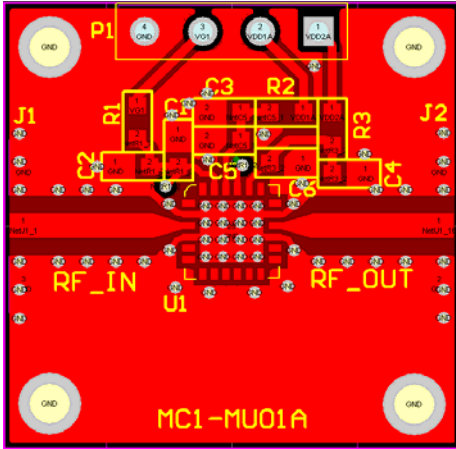
Schematic:



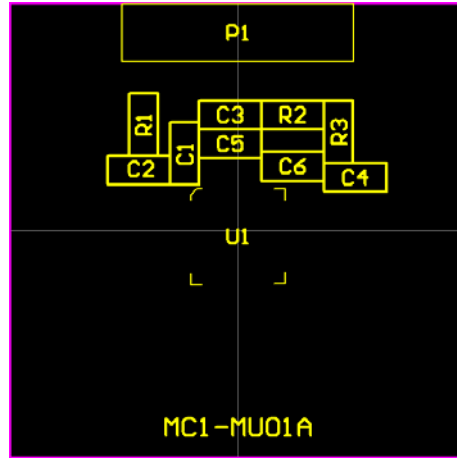
Option Table

	R1
HMC368LP4	0
HMC575LP4	Neq

MC1-MU01A PCB Layout:



MC1-MU01A Assembly Drawing:



Minimum supported devices and its vendors:

Hittite
HMC368LP4 HMC575LP4

Bill of Material Example:

Used	Part Type	Designator	Footprint
2	0	R2 R3	0603
2	2.2u	C3 C4	0603
2	100p	C5 C6	0603
1	HMC368LP4	U1	LP4
2	NEQ	C1 C2	0603
1	OPT	R1	0603
1	PIN4	P1	P2_CON4_S