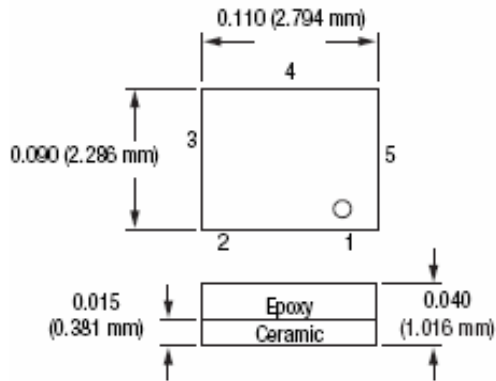


RoHS Compliant & Pb Free Product

MC1-PD01A

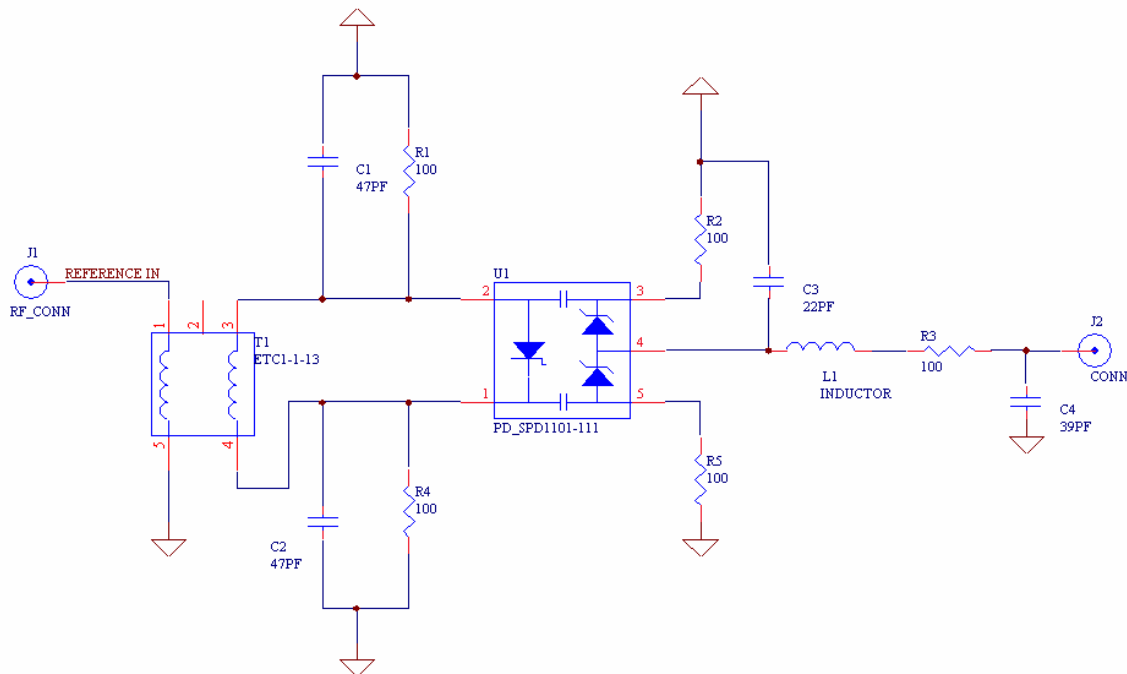
- Category: Detector
- Device Package: SPD-111
- Cell Size: Single (1x1)
- PCB Material/Layer Details: RO4350/Single layer with thickness 0.020"

Supported Device Package and Its Pin Allocation:

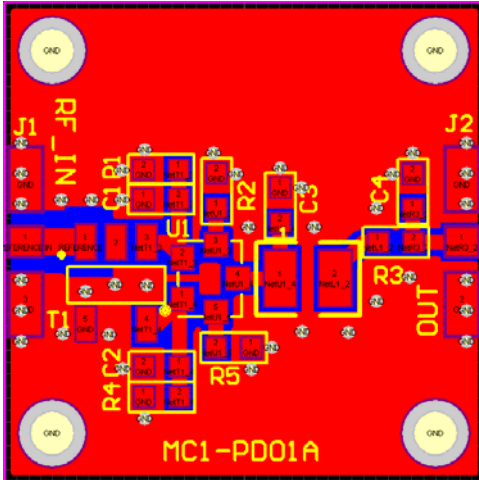


SPD-1101-111
SPD-1102-111
SPD-1103-111

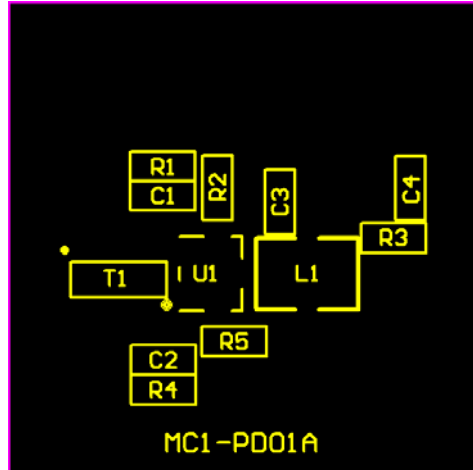
Schematic:



MC1-PD01A PCB Layout:



MC1-PD01A Assembly Drawing:



Minimum supported devices and its vendors:

Skyworks
SPD-1101-111
SPD-1102-111
SPD-1103-111

Bill of Material Example:

Used	Part Type	Designator	Footprint
1	22PF	C3	0603
1	39PF	C4	0603
2	47PF	C1 C2	0603
5	100	R1 R2 R3 R4 R5	0603
1	ETC1-1-13	T1	SM-22
1	INDUCTOR	L1	1008
1	PD_SPD1101-111	U1	SPD-111