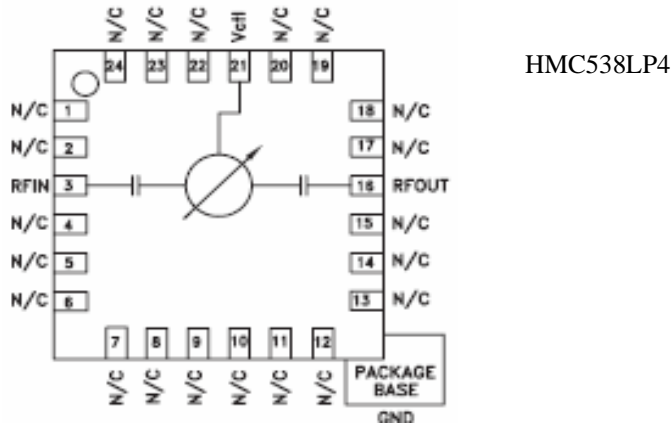


RoHS Compliant & Pb Free Product

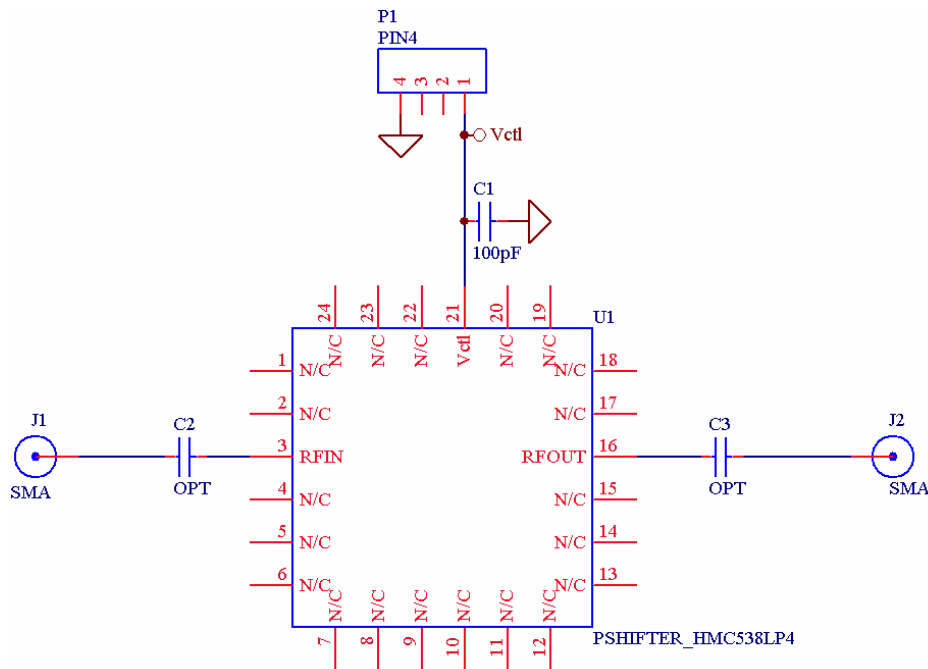
MC1-PH02A

- Category: Phase Shifter
- Device Package: LP4
- Cell Size: Single (1x1)
- PCB Material/Layer Details: RO4350/Single layer with thickness 0.020"

Supported Device Package and Its Pin Allocation:



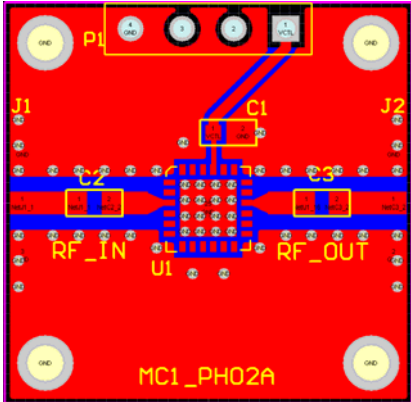
Schematic:



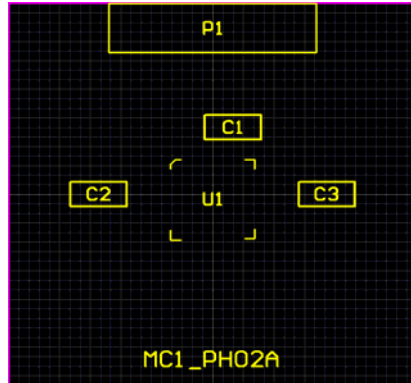
Option Table

	C2	C3
CHT3091-QAG	Short	Short

MC1-PH02A PCB Layout:



MC1-PH02A Assembly Drawing:



Minimum supported devices and its vendors:

Hittite
HMC538LP4

Bill of Material Example:

Used	Part Type	Designator	Footprint
1	100pF	C1	0603
2	OPT	C2 C3	0603
1	PIN4	P1	P2_CON4_S
1	PSHIFTER_HMC538LP4	U1	LP4
2	SMA	J1 J2	P2_RF_43