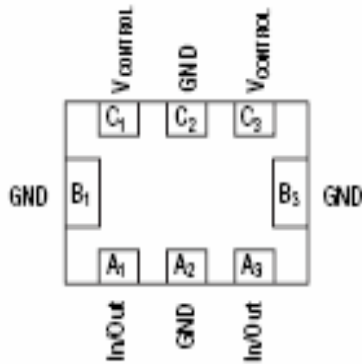


RoHS Compliant & Pb Free Product

MC1-PH01A:

- Category: Phase Shifter
- Device Package: LGA-315
- Cell Size: Single (1x1)
- PCB Material/Layer Details: RO4350/Single layer with thickness 0.020"

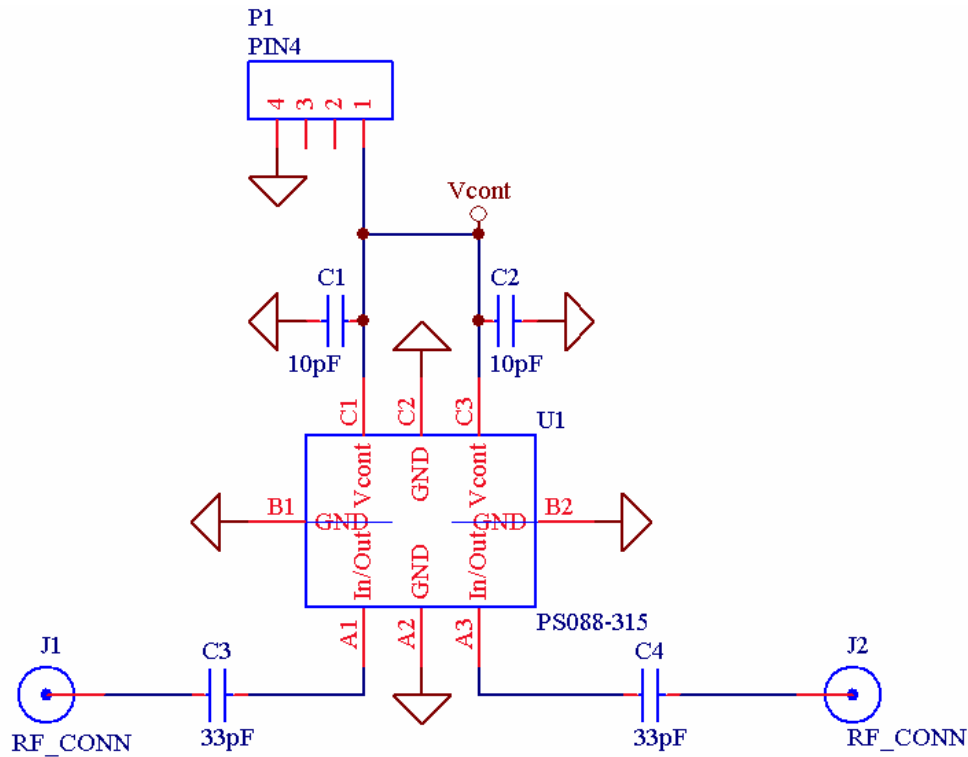
Supported Device Package and Its Pin Allocation:



Terminal No.	Terminal Name
A ₁ (Pin 1)	IN/OUT
A ₂	GND
A ₃	IN/OUT
B ₁	GND
B ₃	GND
C ₁	V _{CONTROL}
C ₂	GND
C ₃	V _{CONTROL}

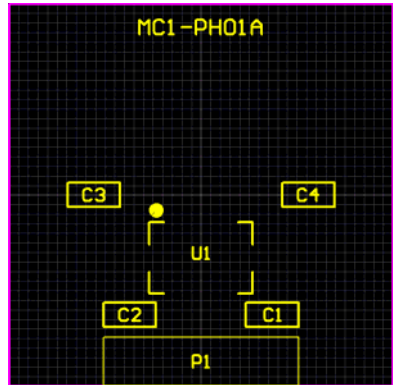
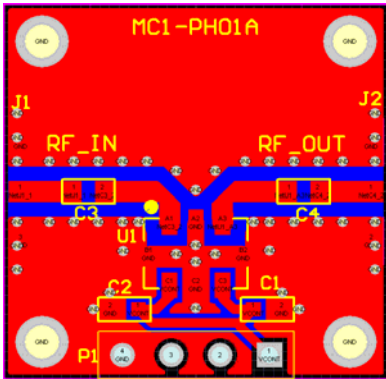
PS088-315
PS094-315
PS184-315
PS196-315
PS214-315

Schematic:



MC1-PH01A PCB Layout:

MC1-PH01A Assembly Drawing:



Minimum supported devices and its vendors:

Skyworks
PS088-315
PS094-315
PS184-315
PS196-315
PS214-315

Bill of Material Example:

Used	Part Type	Designator	Footprint
2	10pF	C1 C2	0603
2	33pF	C3 C4	0603
1	PIN4	P1	P2_CON4_S
1	PS088-315	U1	LGA-315