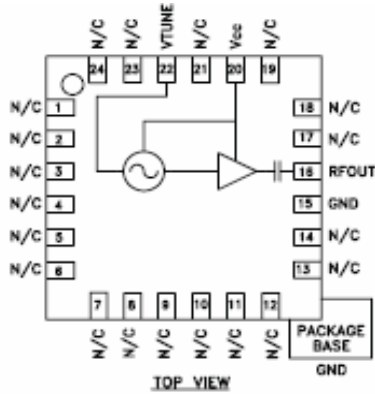


**RoHS Compliant & Pb Free Product**

**MC1-VC05A**

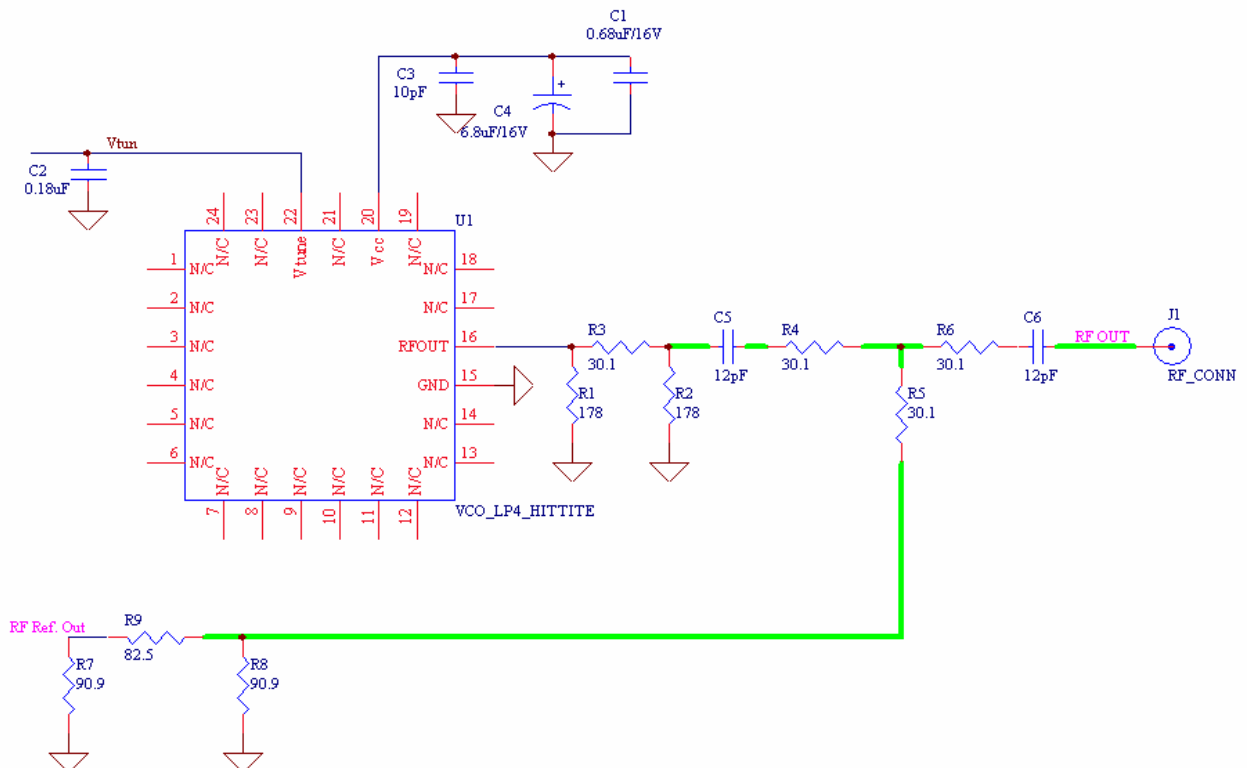
- Category: VCO (detail refer to MC1-AN003 under Application Examples)
- Device Packages : LP4 (Hittite)
- Cell Size: Single (1x2)
- PCB Material/Layer Details: RO4350/4 layer with thickness 0.030"

**Supported Device Package and Its Pin Allocation:**

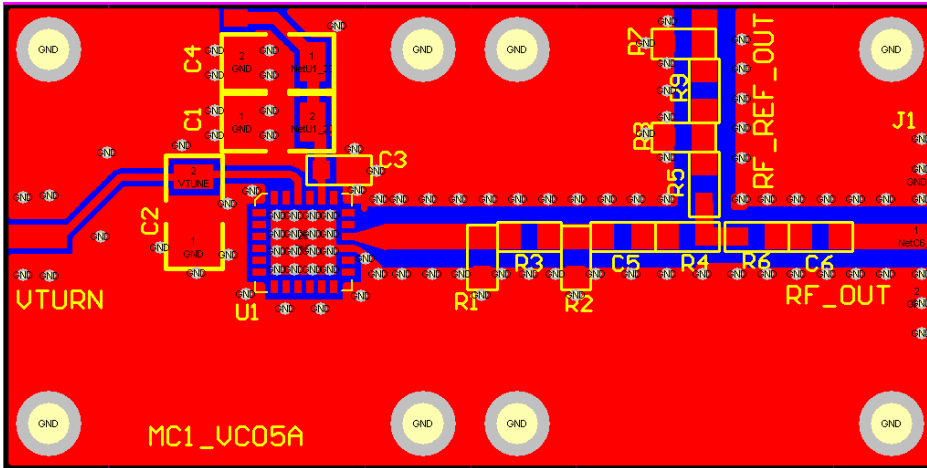


- |           |           |
|-----------|-----------|
| HMC384LP4 | HMC466LP4 |
| HMC385LP4 | HMC505LP4 |
| HMC386LP4 | HMC506LP4 |
| HMC388LP4 | HMC532LP4 |
| HMC389LP4 |           |
| HMC390LP4 |           |
| HMC391LP4 |           |
| HMC416LP4 |           |
| HMC429LP4 |           |
| HMC430LP4 |           |
| HMC431LP4 |           |

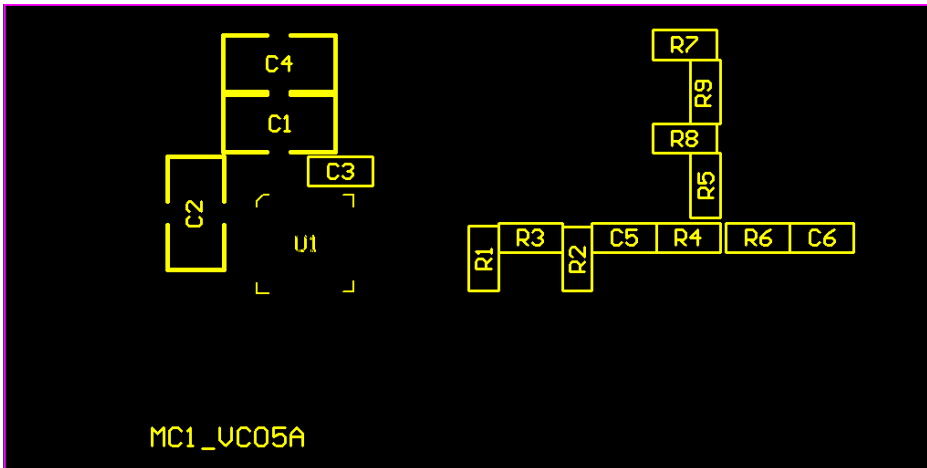
**Schematic:**



**MC1-VC05A PCB Layout:**



**MC1-VC05A Assembly Drawing:**



**Minimum supported devices and its vendors:**

Hittite
HMC384LP4
HMC385LP4
HMC386LP4
HMC388LP4
HMC389LP4
HMC390LP4
HMC391LP4
HMC416LP4
HMC429LP4
HMC430LP4
HMC431LP4
HMC466LP4
HMC505LP4
HMC506LP4
HMC532LP4

Bill of Material Example:

Used	Part Type	Designator	Footprint
1	0.18uF	C2	1206
1	0.68uF/16V	C1	1206
1	6.8uF/16V	C4	1206
1	10pF	C3	0603
2	12pF	C5 C6	0603
4	30.1	R3 R4 R5	0603
		R6	
1	82.5	R9	0603
2	90.9	R7 R8	0603
2	178	R1 R2	0603
1	VCO_LP4_HITTITE	U1	LP4