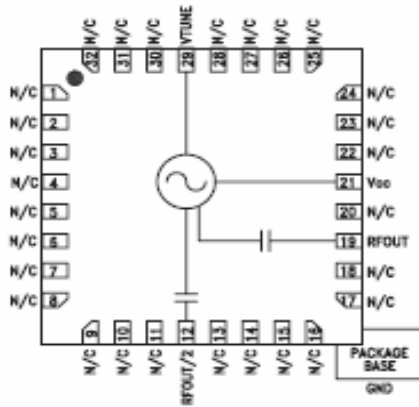


RoHS Compliant & Pb Free Product

MC1-VC07A

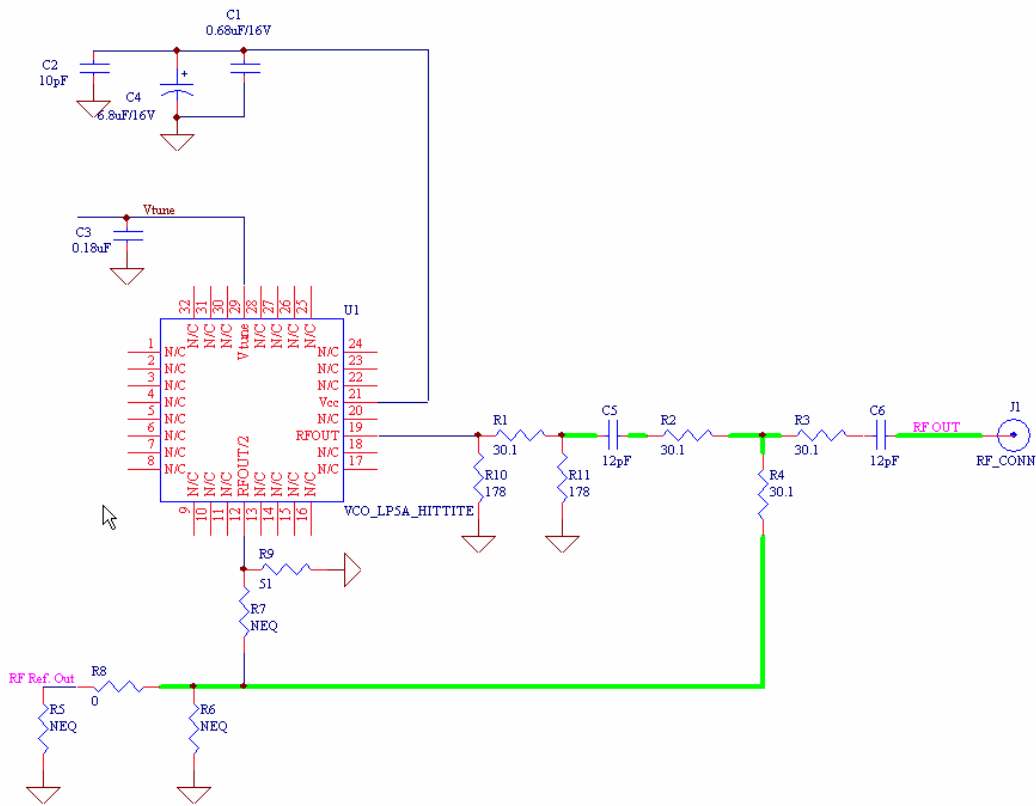
- Category: VCO (detail refer to MC1-AN003 under Application Examples)
- Device Packages : LP5 (Hittite)
- Cell Size: Single (1x2)
- PCB Material/Layer Details: RO4350/4 layer with thickness 0.030"

Supported Device Package and Its Pin Allocation:

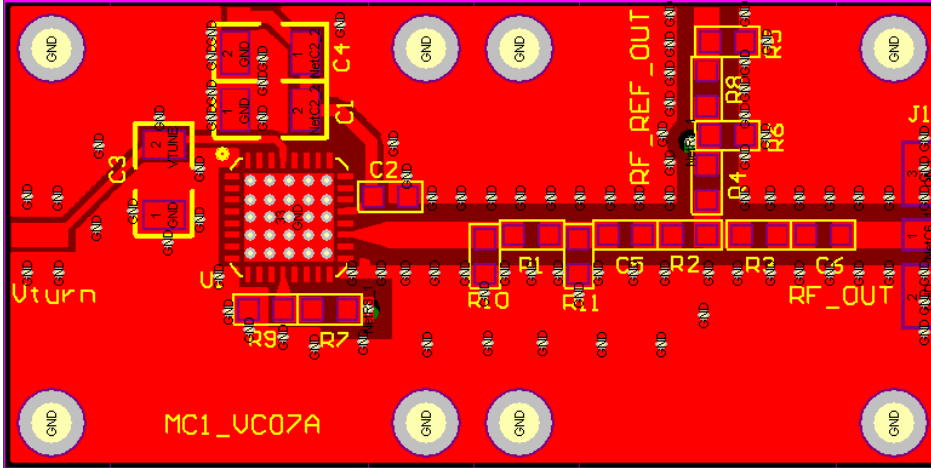


- HMC507LP5
- HMC508LP5
- HMC509LP5
- HMC511LP5

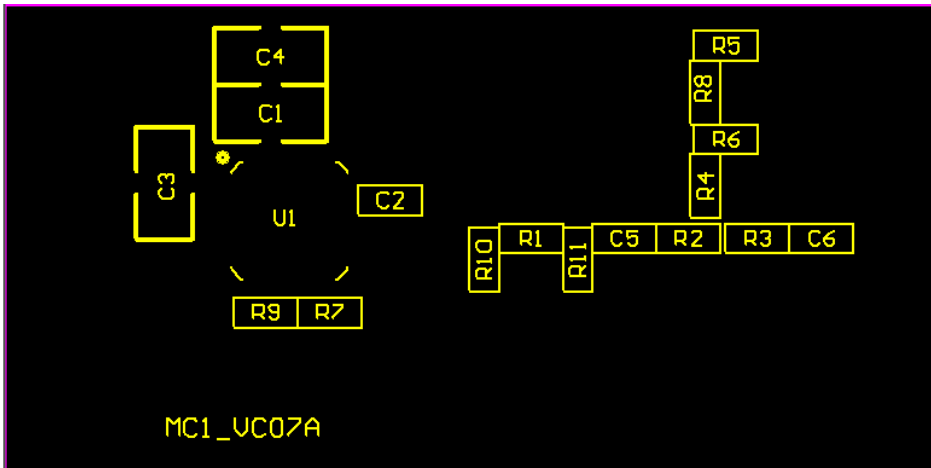
Schematic:



MC1-VC07A PCB Layout:



MC1-VC07A Assembly Drawing:



Minimum supported devices and its vendors:

Hittite
HMC507LP5
HMC508LP5
HMC509LP5
HMC511LP5

Bill of Material Example:

Used	Part Type	Designator	Footprint
1	0	R8	0603
1	0.18uF	C3	1206
1	0.68uF/16V	C1	1206
1	6.8uF/16V	C4	1206
1	10pF	C2	0603
2	12pF	C5 C6	0603
4	30.1	R1 R2 R3	0603
		R4	
1	51	R9	0603
2	178	R10 R11	0603
3	NEQ	R5 R6 R7	0603
1	VCO_LP5A_HITTITE	U1	LP5