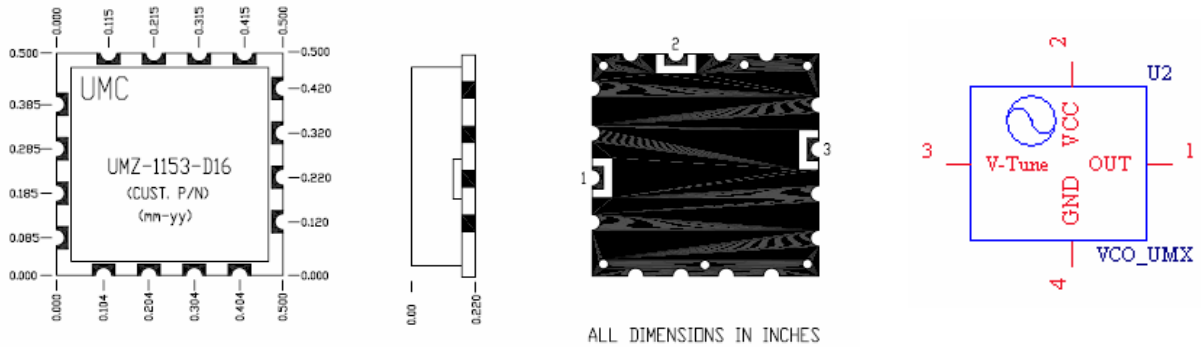


RoHS Compliant & Pb Free Product

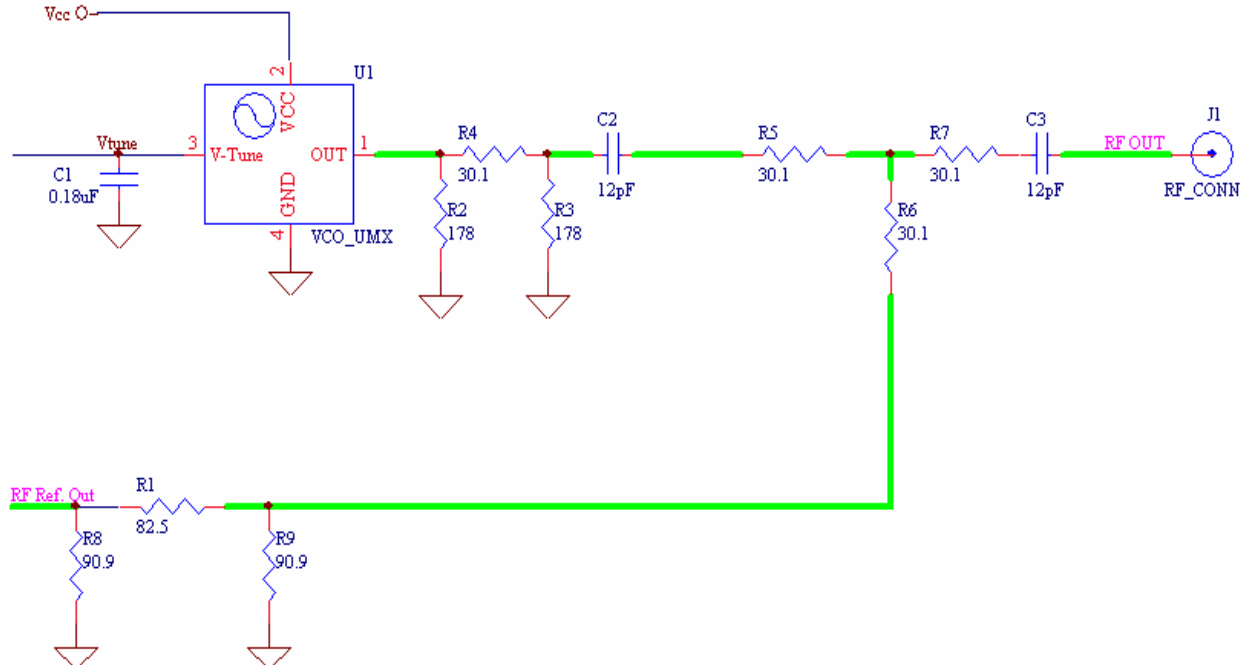
MC1-VC06A

- Category: VCO (detail refer to MC1-AN003 under Application Examples)
- Device Packages : 5x5mm², Mini-14s, Mini-16
- Cell Size: Single (1x2)
- PCB Material/Layer Details: RO4350/4 layer with thickness 0.030"

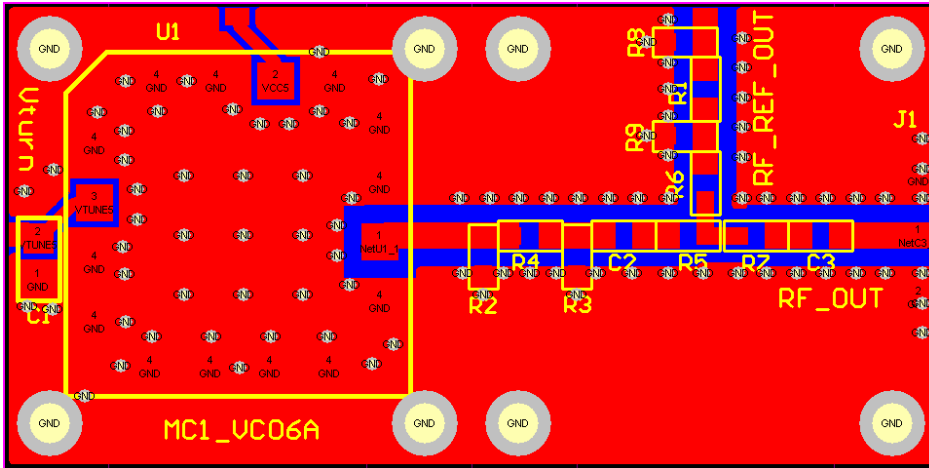
Supported Device Package and Its Pin Allocation:



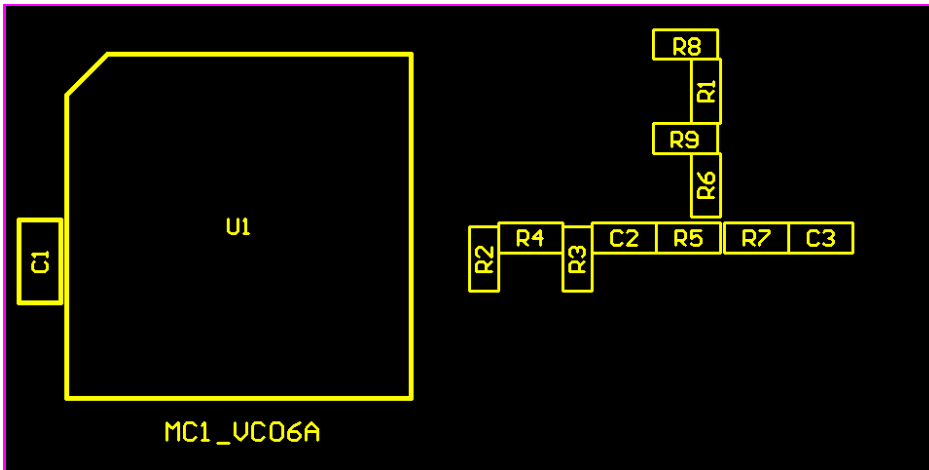
Schematic:



MC1-VC06A PCB Layout:



MC1-VC06A Assembly Drawing:



Minimum supported devices and its vendors:

UMS ZCOM M/A-COM
Any 0.5X0.5

Bill of Material Example:

Used	Part Type	Designator	Footprint
----	-----	-----	-----
1	0.18uF	C1	0805
2	12pF	C2 C3	0603
4	30.1	R4 R5 R6	0603
		R7	
1	82.5	R1	0603
2	90.9	R8 R9	0603
2	178	R2 R3	0603
1	VCO_UMX	U1	UMX-VCO