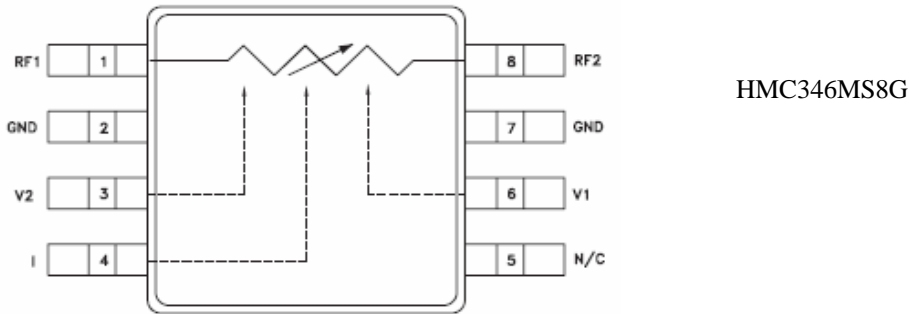


**RoHS Compliant & Pb Free Product**

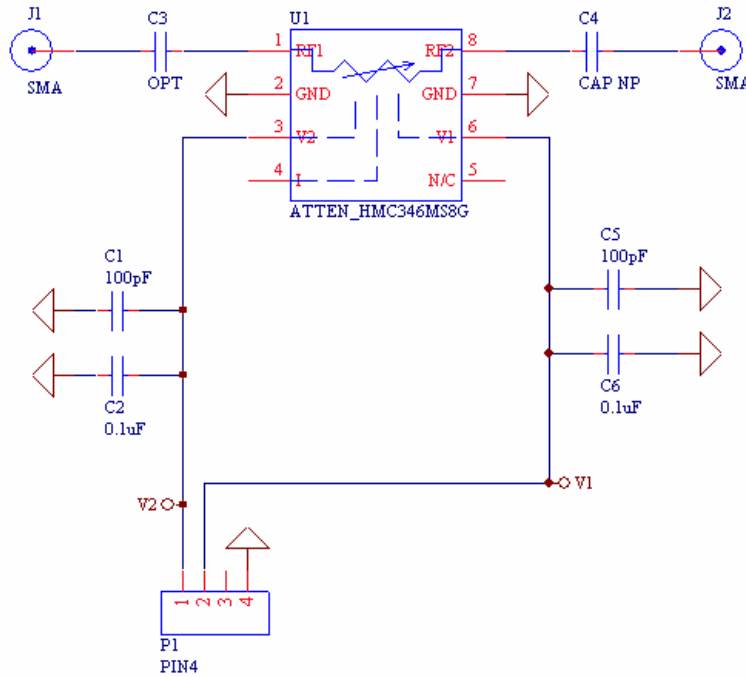
**MC1-AT11A:**

- Category: Attenuators (Analog)
- Device Package: MS8G (Hittite)
- Cell Size: Single (1x1)
- PCB Material/Layer Details: RO4350/2 layer with thickness 0.020"

**Supported Device Package and Its Pin Allocation:**



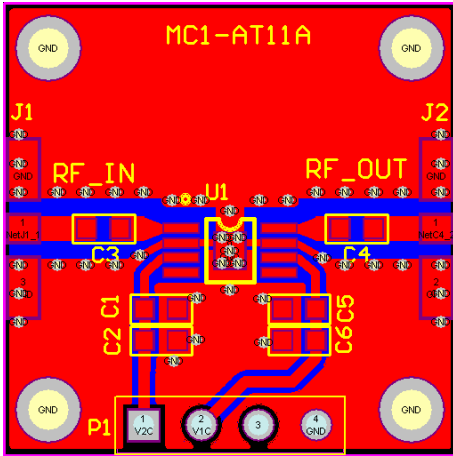
**Schematic:**



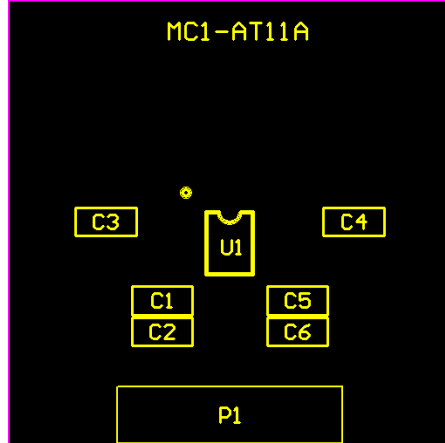
**Option Table**

	C3	C4
CHT3091ARCF	Frequency Dependence	Frequency Dependence

**MC1-AT11A PCB Layout:**



**MC1-AT11A Assembly Drawing:**



**Minimum supported devices and its vendors:**

Hittite: HMC346MS8G

**Bill of Material Example:**

Used	Part Type	Designator	Footprint
2	0.1uF	C2 C6	0603
2	100pF	C1 C5	0603
1	ATTEN_HMC346MS8G	U1	MS8G
1	CAP NP	C4	0603
1	OPT	C3	0603
1	PIN4	P1	P2_CON4_S