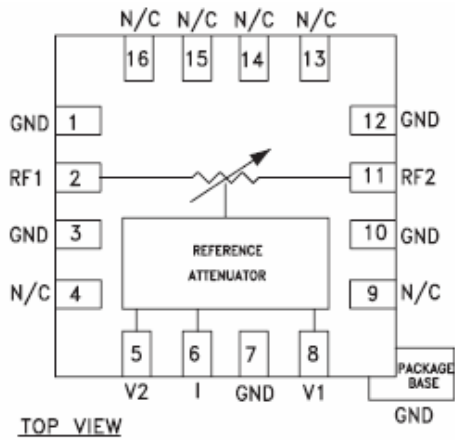


RoHS Compliant & Pb Free Product

MC1-AT10A:

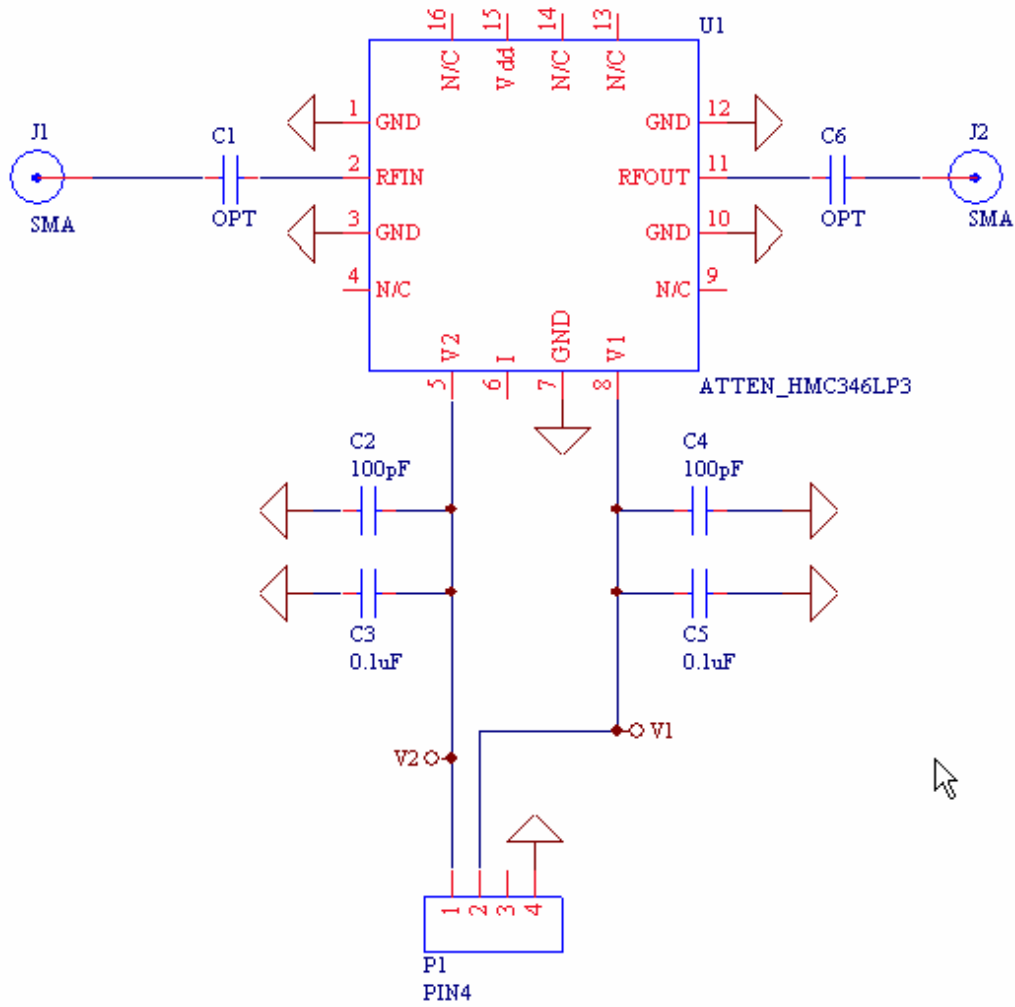
- Category: Attenuators (Analog)
- Device Package: LP3 (Hittite)
- Cell Size: Single (1x1)
- PCB Material/Layer Details: RO4350/2 layer with thickness 0.020"

Supported Device Package and Its Pin Allocation:



HMC346LP3

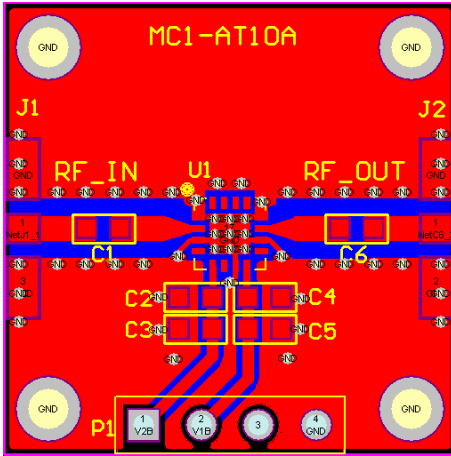
Schematic:



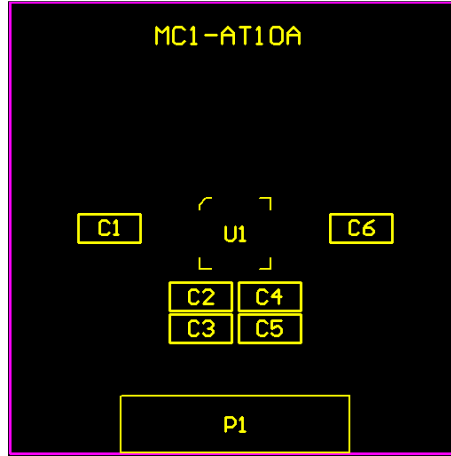
Option Table

	C1	C6
CHT3091ARCF	Frequency Dependence	Frequency Dependence

MC1-AT10A PCB Layout:



MC1-AT10A Assembly Drawing:



Minimum supported devices and its vendors:

Hittite: HMC346LP3

Bill of Material Example:

Used	Part Type	Designator	Footprint
2	0.1uF	C3 C5	0603
2	100pF	C2 C4	0603
1	ATTEN_HMC346LP3	U1	LP3
2	OPT	C1 C6	0603
1	PIN4	P1	P2_CON4_S