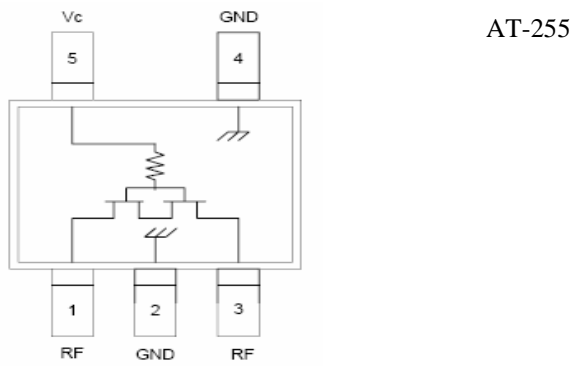


**RoHS Compliant & Pb Free Product**

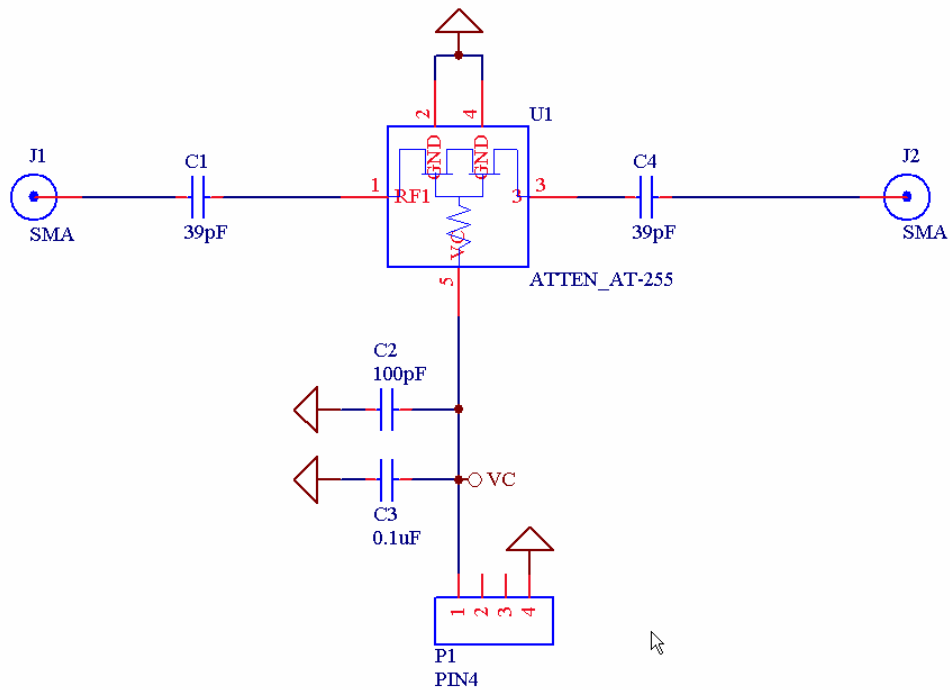
**MC1-AT09A:**

- Category: Attenuators (Analog)
- Device Package: SOT-23-5 (M/A Com)
- Cell Size: Single (1x1)
- PCB Material/Layer Details: RO4350/2 layer with thickness 0.020"

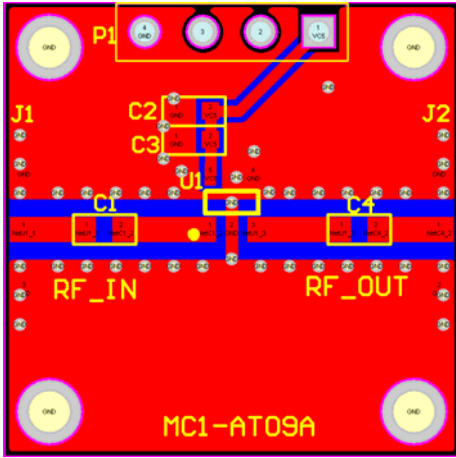
**Supported Device Package and Its Pin Allocation:**



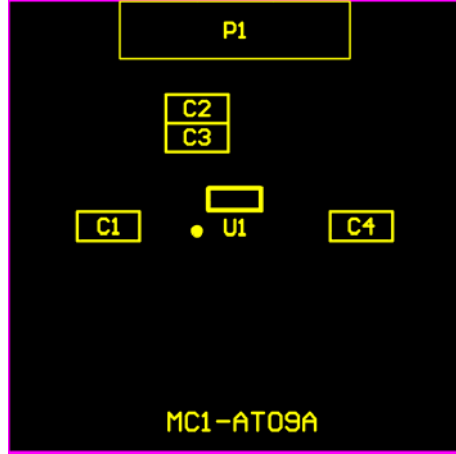
**Schematic:**



**MC1-AT09A PCB Layout:**



**MC1-AT09A Assembly Drawing:**



**Minimum supported devices and its vendors:**

M/A Com: AT-255

**Bill of Material Example:**

Used	Part Type	Designator	Footprint
1	0.1uF	C3	0603
2	39pF	C1 C4	0603
1	100pF	C2	0603
1	ATTEN_AT-255	U1	SOT-23-5
1	PIN4	P1	P2_CON4_S