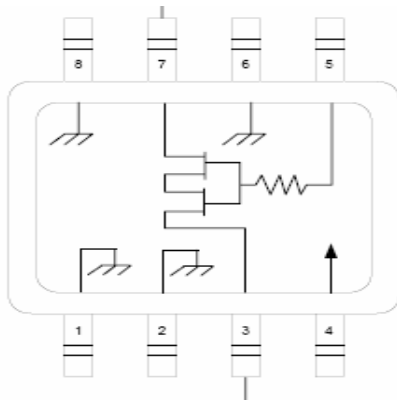


RoHS Compliant & Pb Free Product

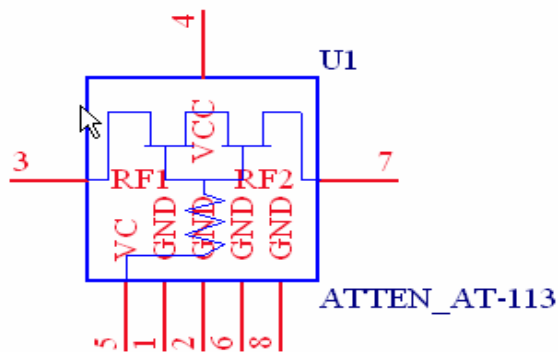
MC1-AT08A:

- Category: Attenuators (Analog)
- Device Package: SOIC-8 (M/A Com)
- Cell Size: Single (1x1)
- PCB Material/Layer Details: RO4350/2 layer with thickness 0.020"

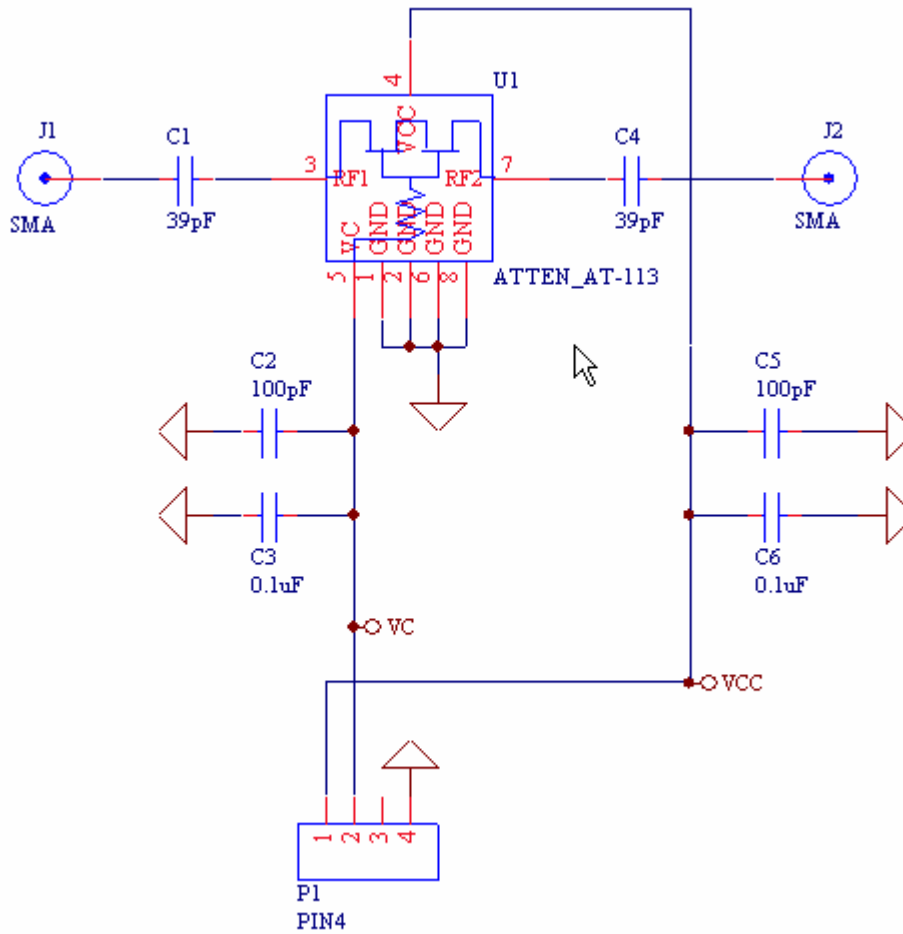
Supported Device Package and Its Pin Allocation:



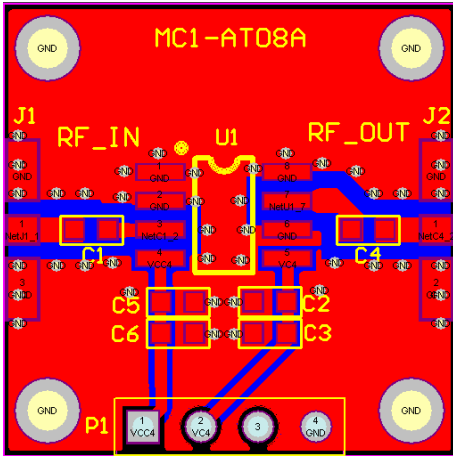
Pin No.	Function	Pin No.	Function
1	Ground	5	V _c
2	Ground	6	Ground
3	RF Port	7	RF Port
4	V _{cc}	8	Ground



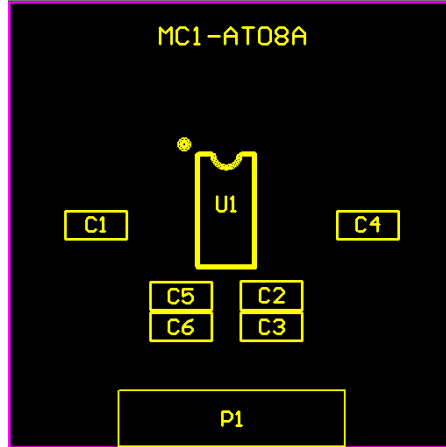
Schematic:



MC1-AT08A PCB Layout:



MC1-AT08A Assembly Drawing:



Minimum supported devices and its vendors:

M/A-COM
AT-108-PIN
AT-109-PIN
AT-110-PIN
AT-113-PIN

Bill of Material Example:

Used	Part Type	Designator	Footprint
2	0.1uF	C3 C6	0603
2	39pF	C1 C4	0603
2	100pF	C2 C5	0603
1	ATTEN_AT-113	U1	SOIC-8
1	PIN4	P1	P2_CON4_S