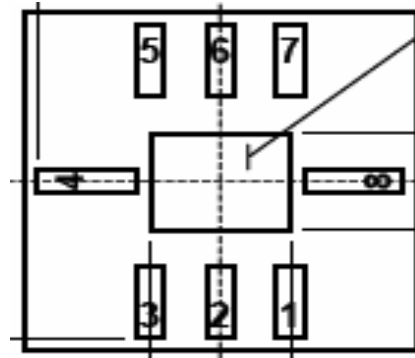


**RoHS Compliant & Pb Free Product**

**MC1-AT05A:**

- Category: Attenuators (Analog)
- Device Package: SMD-8 (UMS)
- Cell Size: Single (1x1)
- PCB Material/Layer Details: RO4350/2 layer with thickness 0.020"

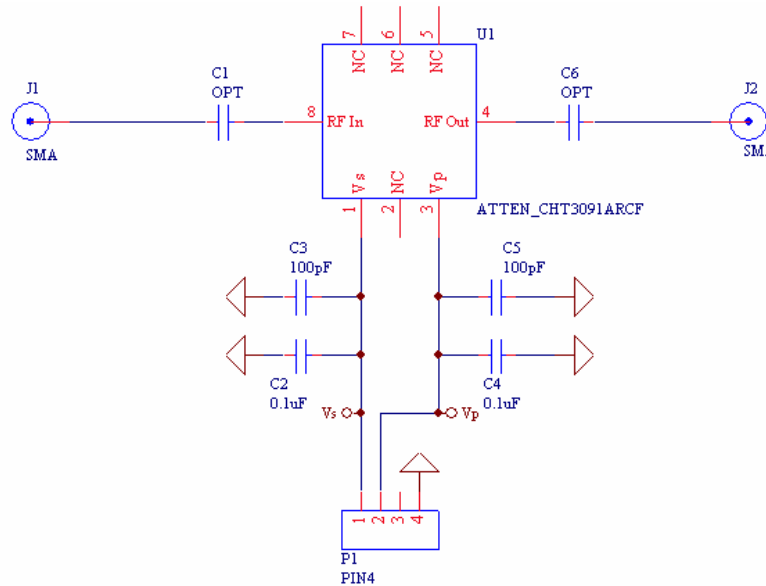
**Supported Device Package and Its Pin Allocation:**



CHT3091ARCF

PIN	Function	PIN	Function
1	Vs	5	NC
2	NC	6	NC
3	Vp	7	NC
4	RF out	8	RF in

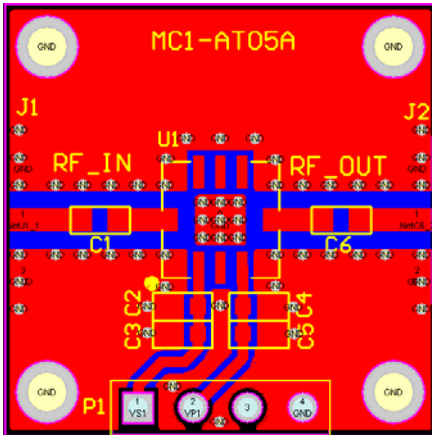
**Schematic:**



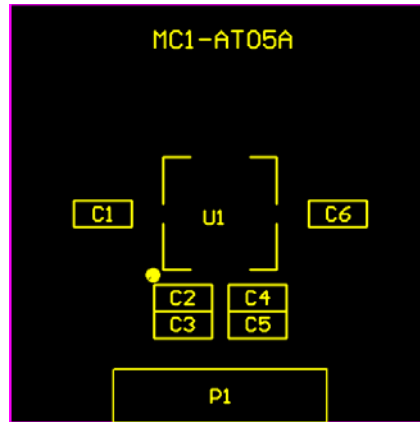
**Option Table**

	C1	C6
CHT3091ARCF	Short	Short

**MC1-AT05A PCB Layout:**



**MC1-AT05A Assembly Drawing:**



**Minimum supported devices and its vendors:**

UMS: CHT3091ARCF

**Bill of Material Example:**

Used	Part Type	Designator	Footprint
2	0.1uF	C2 C4	0603
2	100pF	C3 C5	0603
1	ATTEN_CHT3091ARCF	U1	SMD-8
2	OPT	C1 C6	0603
1	PIN4	P1	P2_CON4_S