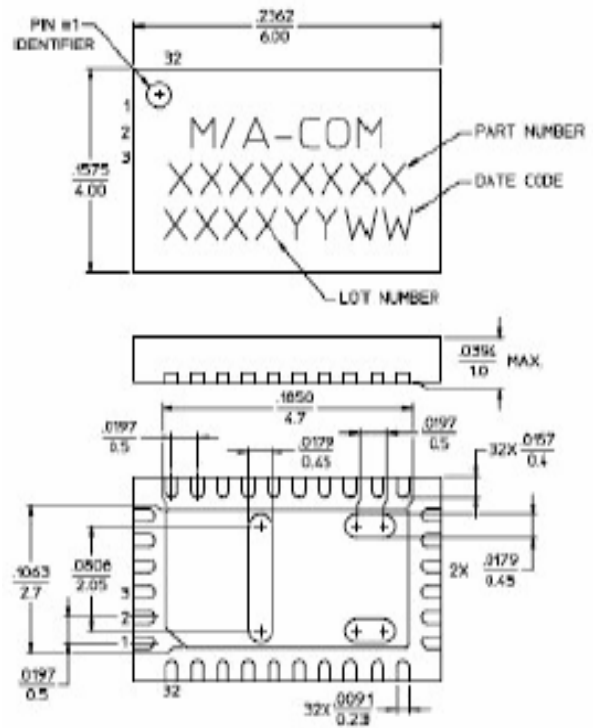
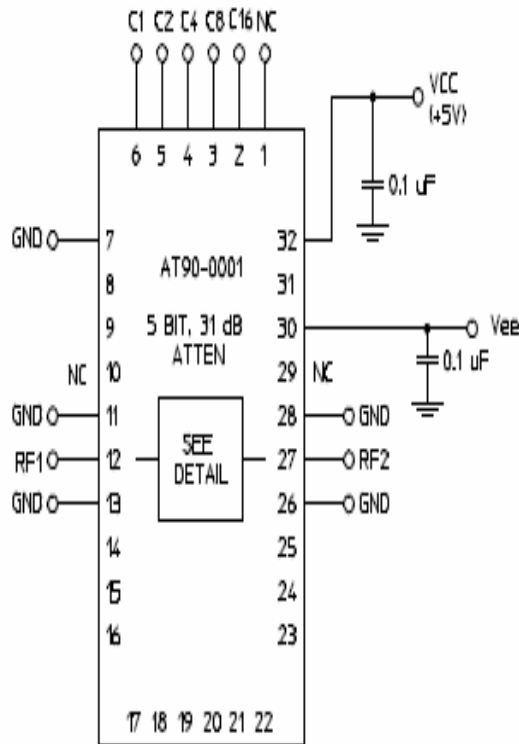


**RoHS Compliant & Pb Free Product**

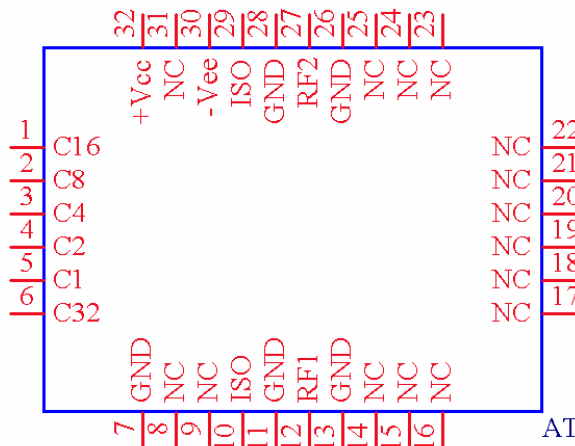
**MC1-AT04A:**

- Category: Attenuators (Digital)
- Device Package: PQFN-32 (M/A Com)
- Cell Size: Single (1x2)
- PCB Material/Layer Details: RO4350/4 layer with thickness 0.030"

**Supported Device Package and Its Pin Allocation:**

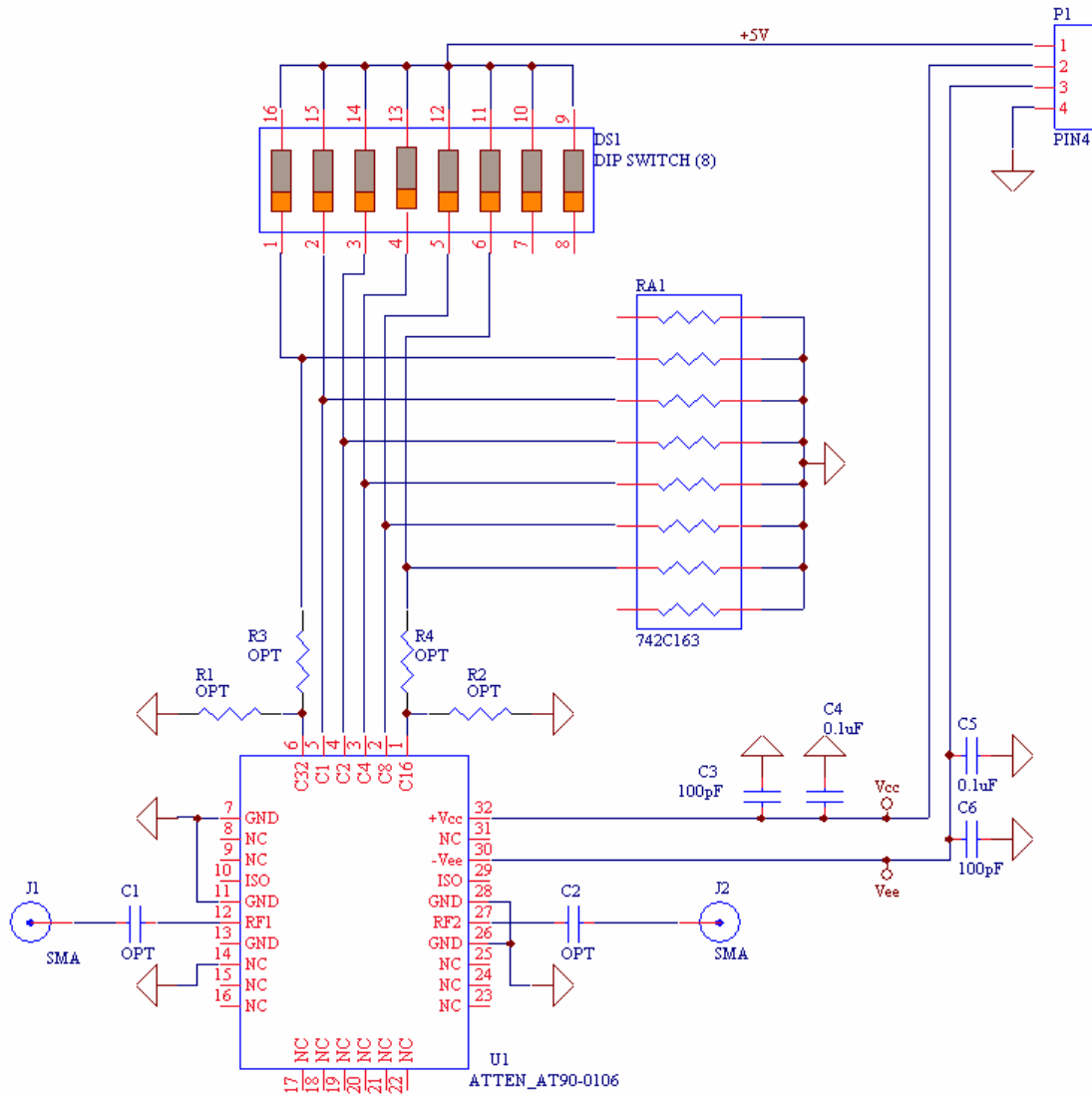


1. REFERENCE JEDEC MO-229, FOR ADDITIONAL DIMENSIONAL AND TOLERANCE INFORMATION.
2. REFERENCE S2081 APPLICATION NOTE FOR PCB FOOTPRINT INFORMATION.
3. ALL DIMENSIONS SHOWN AS INCHES/MM.



ATTEN\_AT90-0106

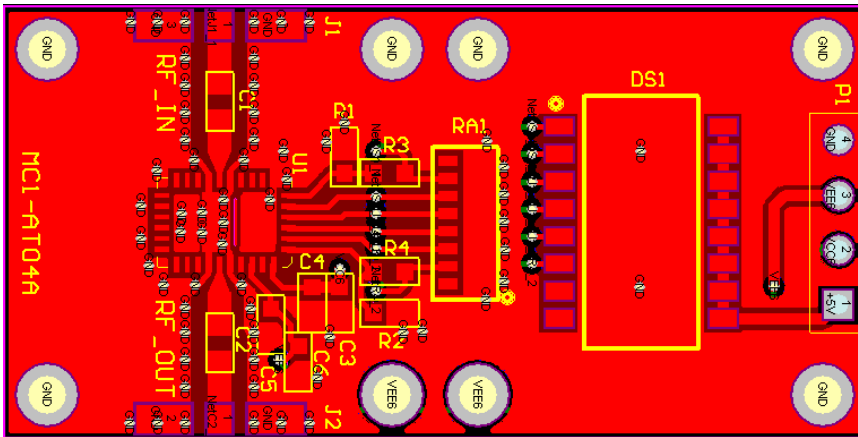
Schematic:



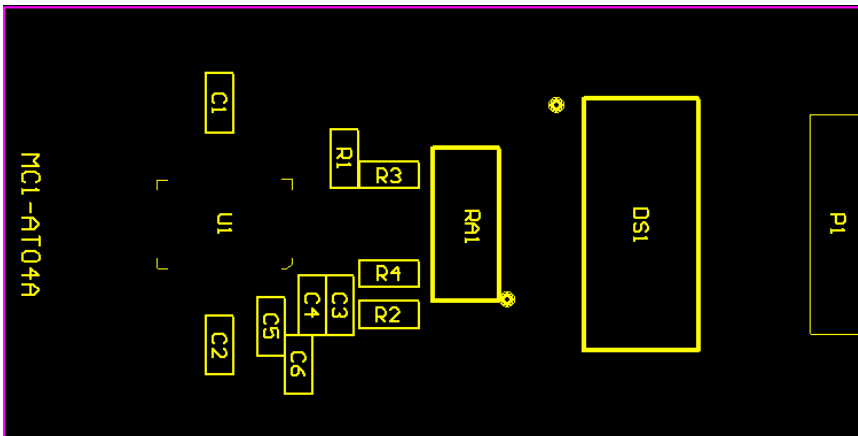
Option Table

	R1	R2	R3	R4	C1	C2
AT90-0001	Neq	Neq	0	Neq	Short	Short
AT90-0106	Neq	Neq	0	0	Short	Short
AT90-0107	Neq	Neq	0	0	Short	Short
AT90-0233	0	0	Neq	Neq	Short	Short
AT90-0263	Neq	0	0	Neq	Short	Short
AT90-0283	Neq	0	0	Neq	Short	Short
AT90-0413	0	0	Neq	Neq	Short	Short

**MC1-AT04A PCB Layout:**



**MC1-AT04A Assembly Drawing:**



**Minimum supported devices and its vendors:**

M/A-COM
AT90-0001
AT90-0106
AT90-0107
AT90-0233
AT90-0263
AT90-0283
AT90-0413

**Bill of Material Example:**

Used	Part Type	Designator	Footprint
2	0.1uF	C4 C5	0603
2	100pF	C3 C6	0603
1	742C163	RA1	742C163
1	ATTEN_AT90-0106	U1	PQFN-32
1	DIP SWITCH (8)	DS1	TDA08H0SB1
6	OPT	C1 C2 R1	0603
		R2 R3 R4	
1	PIN4	P1	P2_CON4_S

**Miscellaneous Active Parts:**

Parts	Functions	Suggested #	Suggested Vendor
DIP Switch	Dip switch	TDA080SB1	www.ittcannon.com
Resistor Array	Resistor Array	742C163	www.ctscorp.com