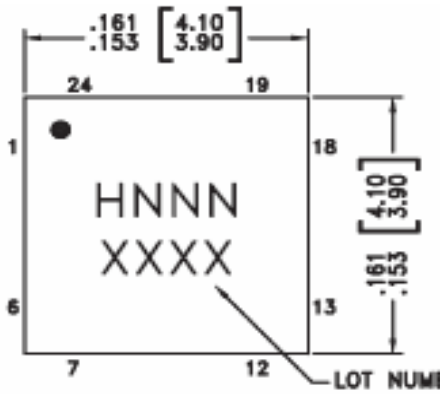


RoHS Compliant & Pb Free Product

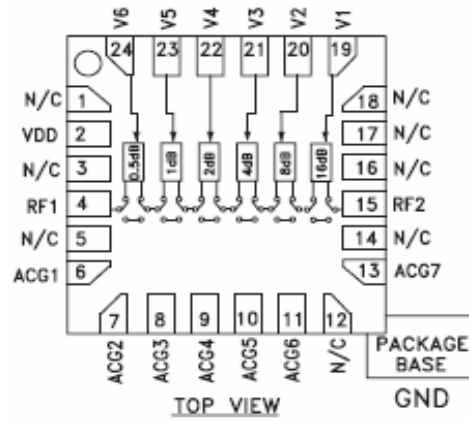
MC1-AT03A:

- Category: Attenuators (Digital)
- Device Package: LP4
- Cell Size: Single (1x2)
- PCB Material/Layer Details: RO4350/4 layer with thickness 0.030"

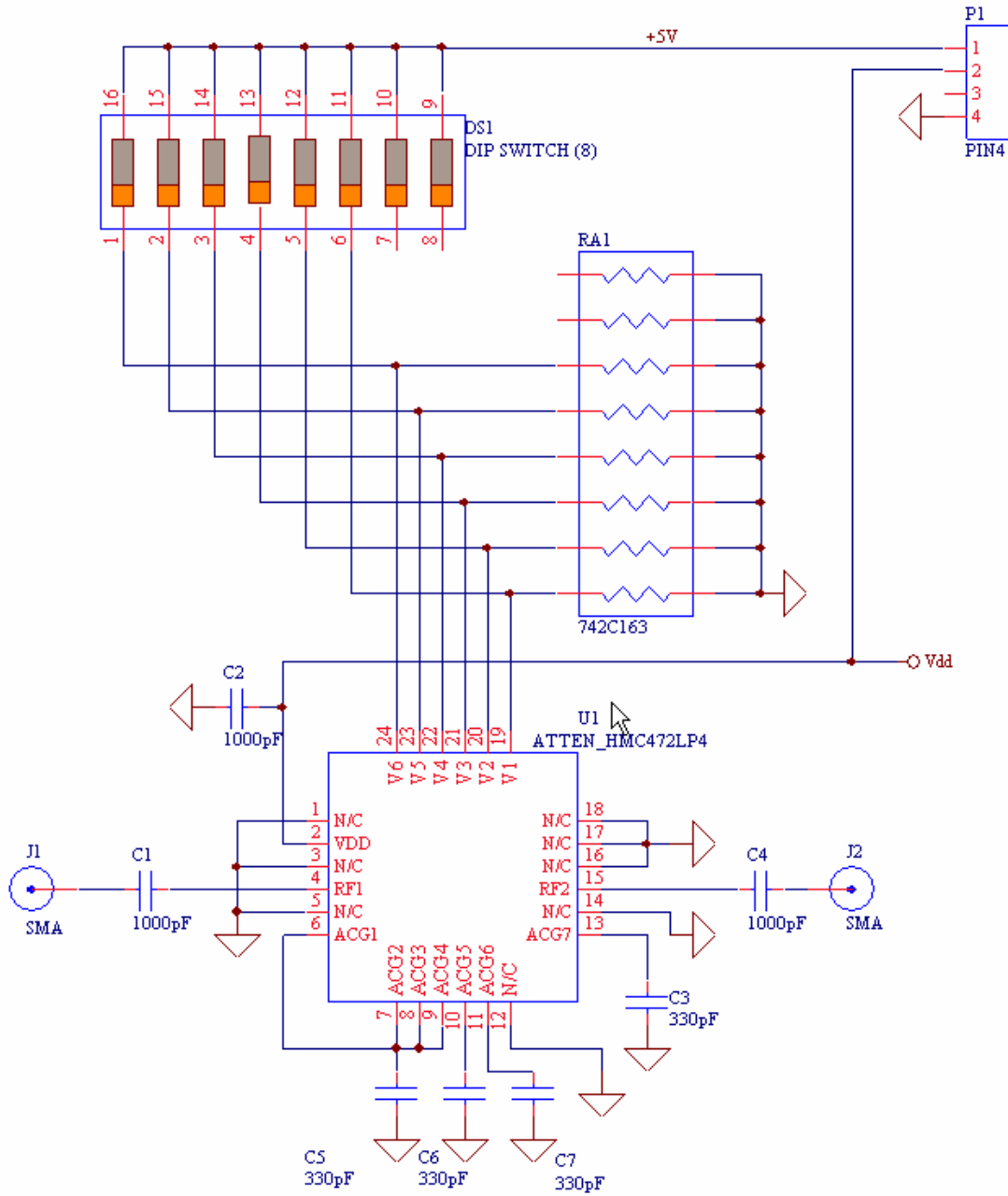
Supported Device Package and Its Pin Allocation:



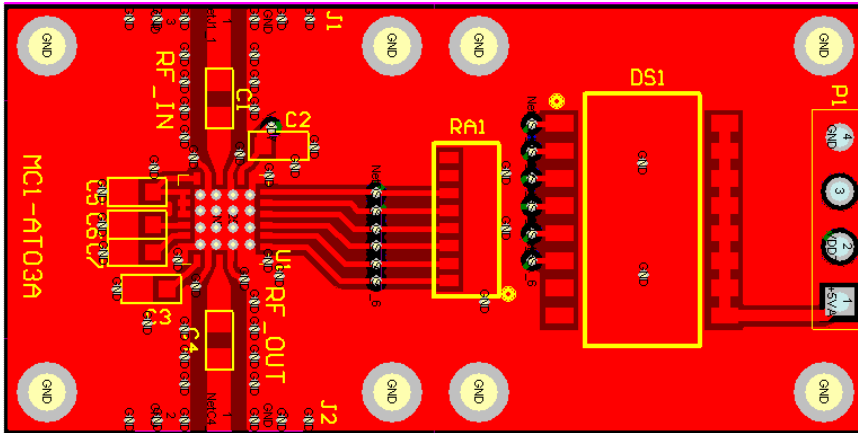
HMC472LP4



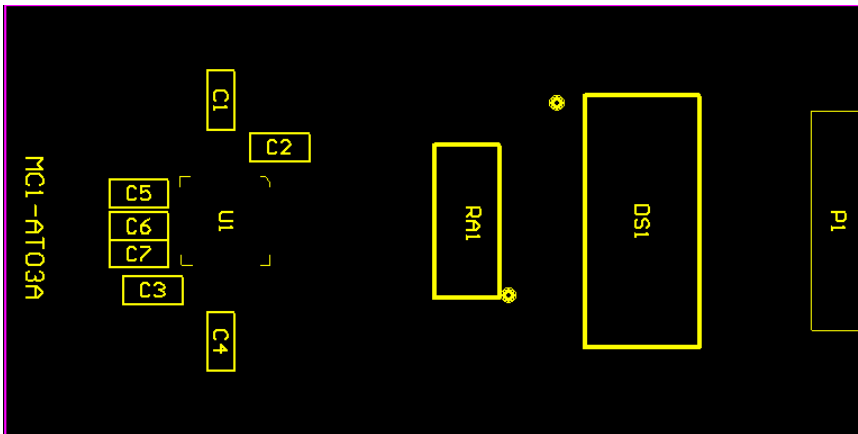
Schematic:



MC1-AT03A PCB Layout:



MC1-AT03A Assembly Drawing:



Minimum supported devices and its vendors:

Hittite: HMC472LP4

Bill of Material Example:

Used	Part Type	Designator	Footprint
4	330pF	C3 C5 C6 C7	0603
1	742C163	RA1	742C163
3	1000pF	C1 C2 C4	0603
1	ATTEN_HMC472LP4	U1	LP4
1	DIP SWITCH (8)	DS1	TDA08H0SB1
1	PIN4	P1	P2_CON4_S

Miscellaneous Active Parts:

Parts	Functions	Suggested #	Suggested Vendor
DIP Switch	Dip switch	TDA080SB1	www.ittcannon.com
Resistor Array	Resistor Array	742C163	www.ctscorp.com