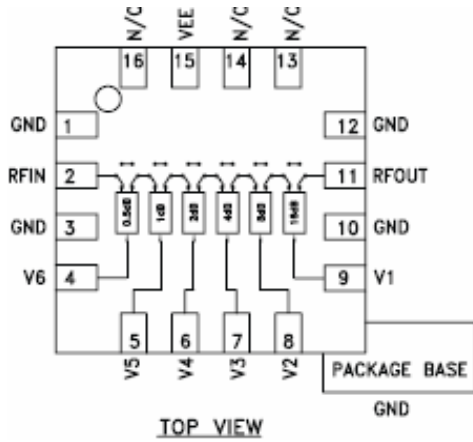


RoHS Compliant & Pb Free Product

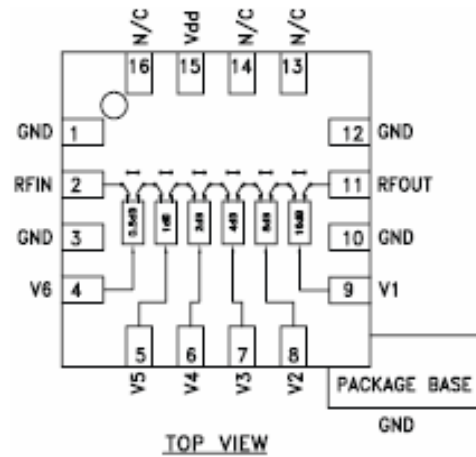
MC1-AT02A:

- Category: Attenuators (Digital)
- Device Package: LP3
- Cell Size: Single (1x2)
- PCB Material/Layer Details: RO4350/4 layer with thickness 0.030”

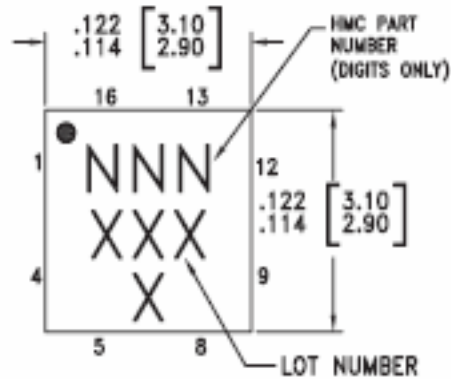
Supported Device Package and Its Pin Allocation:



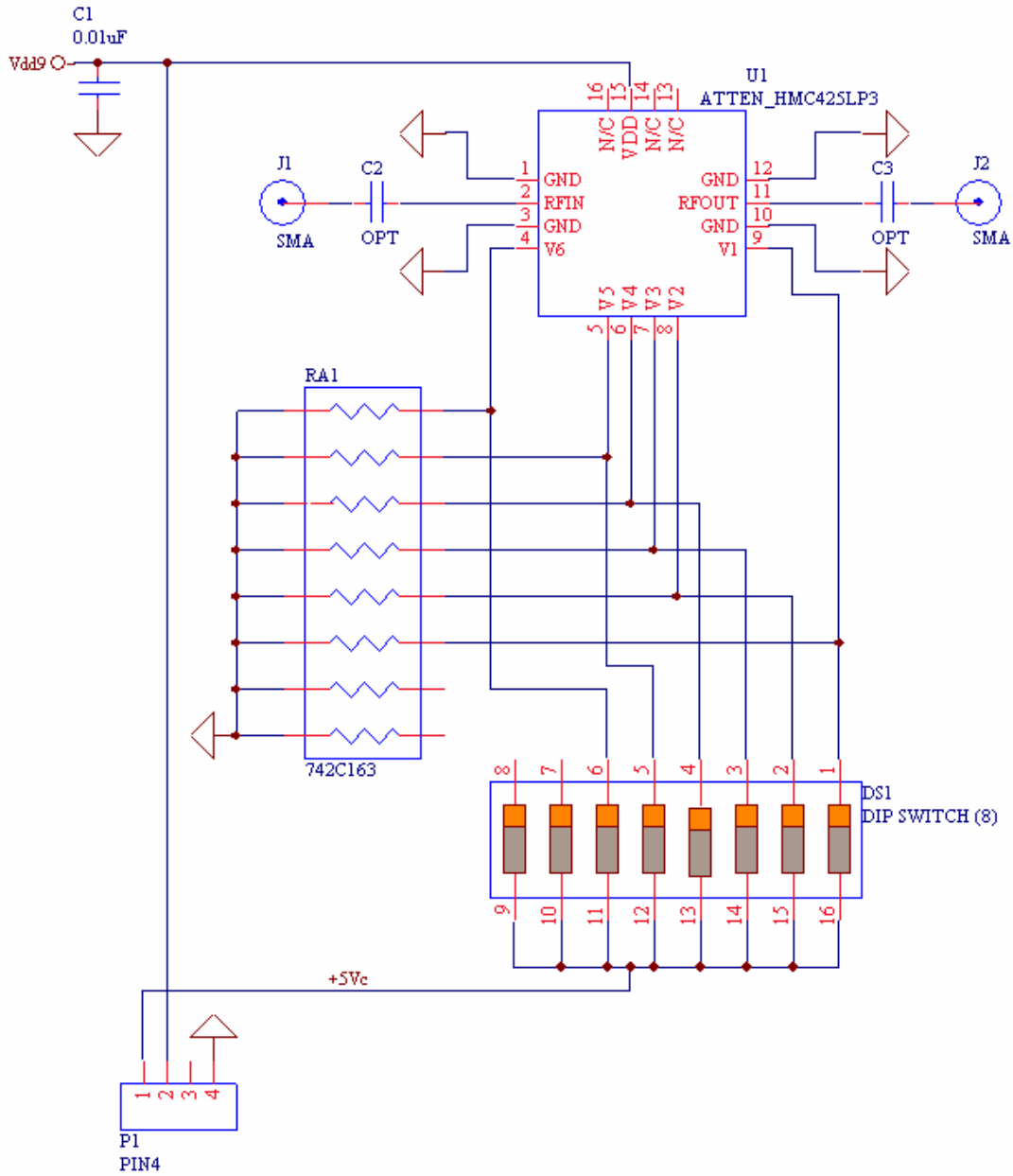
HMC424LP3



HMC425LP3



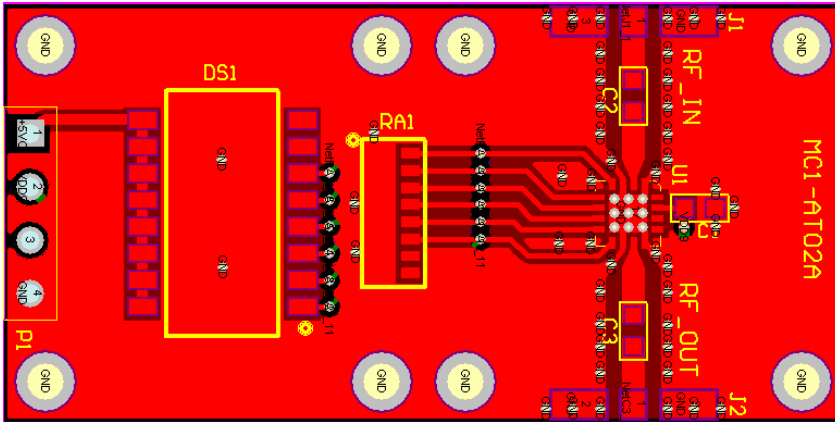
Schematic:



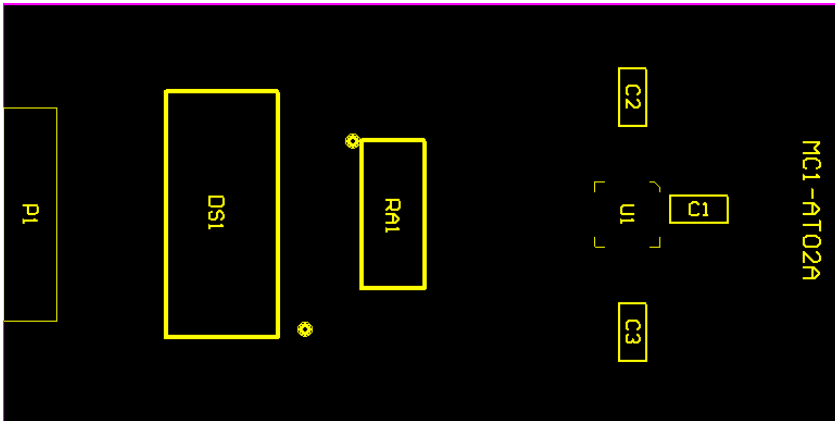
Option Table

	C1	C2
HMC424LP3	Short	Short
HMC425LP3	100pF	100pF

MC1-AT02A PCB Layout:



MC1-AT02A Assembly Drawing:



Minimum supported devices and its vendors:

Hittite
HMC424LP3 HMC425LP3

Bill of Material Example:

Used	Part Type	Designator	Footprint
1	0.01uF	C1	0603
1	742C163	RA1	742C163
1	ATTEN_HMC425LP3	U1	LP3
1	DIP SWITCH (8)	DS1	TDA08H0SB1
2	OPT	C2 C3	0603
1	PIN4	P1	P2_CON4_S



**Attenuator PCB Cell
MC1-AT02A**

Miscellaneous Active Parts:

Parts	Functions	Suggested #	Suggested Vendor
DIP Switch	Dip switch	TDA080SB1	www.ittcannon.com
Resistor Array	Resistor Array	742C163	www.ctscorp.com