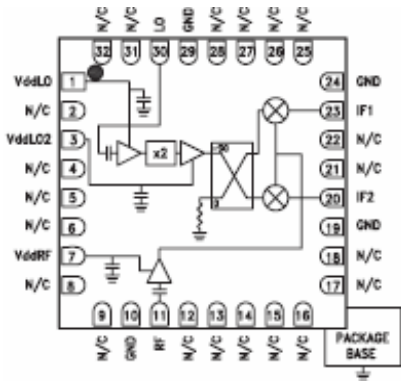


RoHS Compliant & Pb Free Product

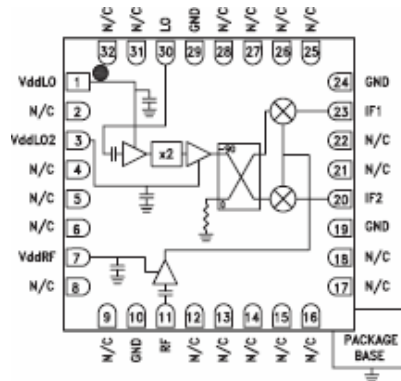
MC1-MI17A:

- Category: Mixer
- Device Package: LC5 (Hittite)
- Cell Size: Single (1x2)
- PCB Material/Layer Details: RO4350/2 layer with thickness 0.020"

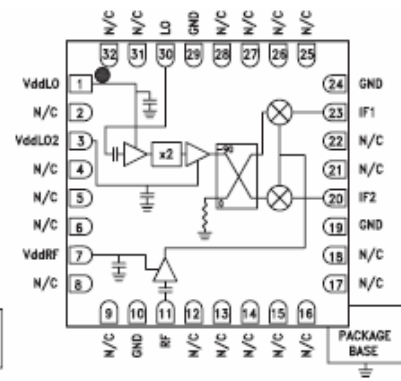
Supported Device Package and Its Pin Allocation:



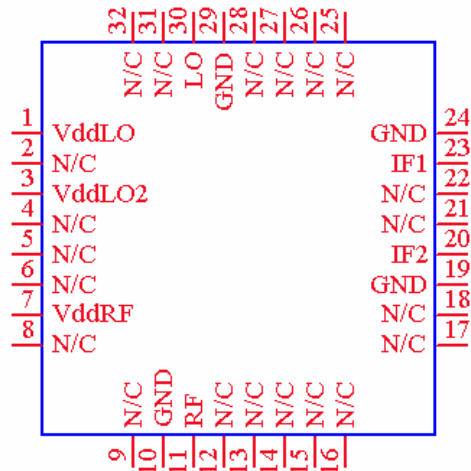
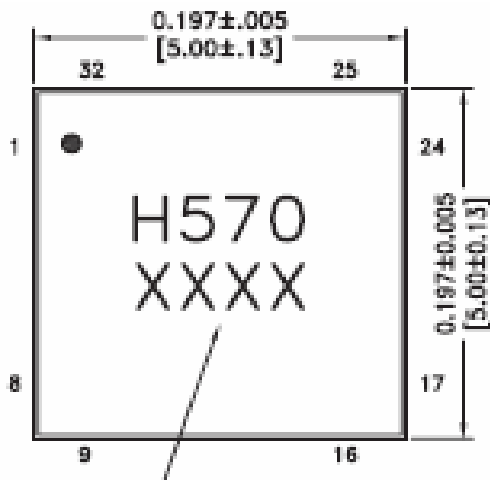
HMC570LC5



HMC571LC5

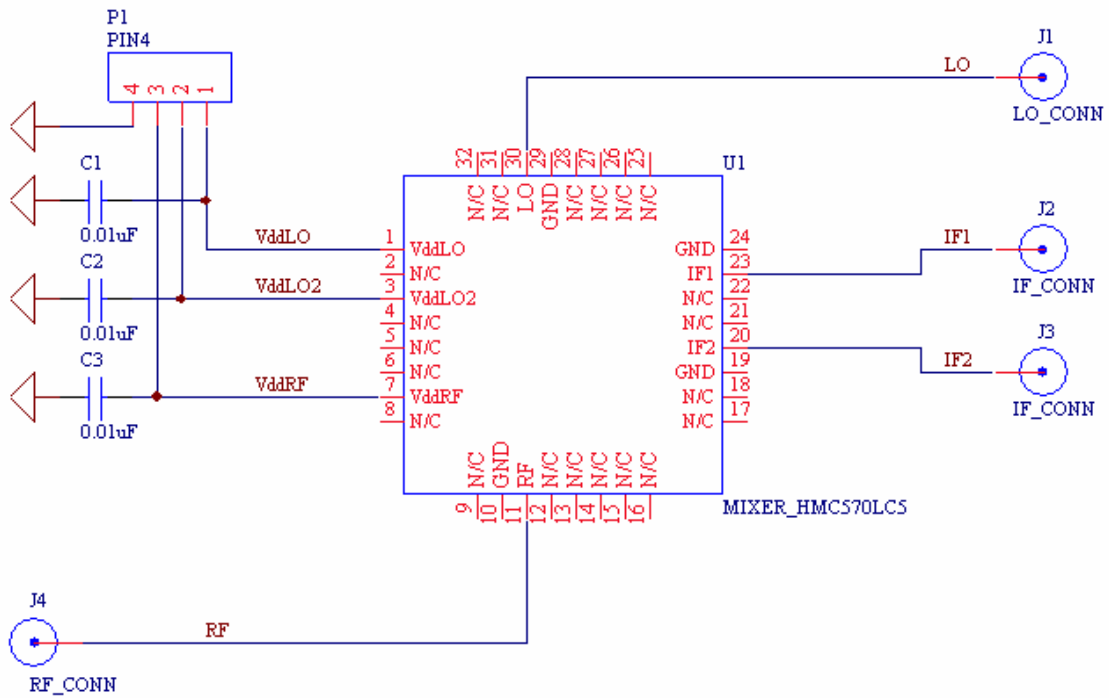


HMC572LC5

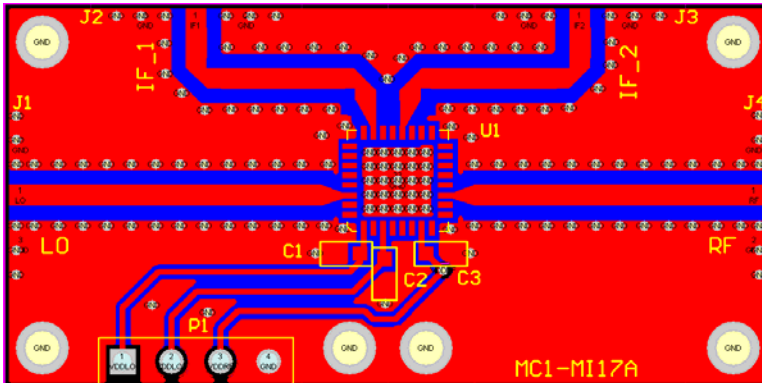


MIXER_HMC570LC5

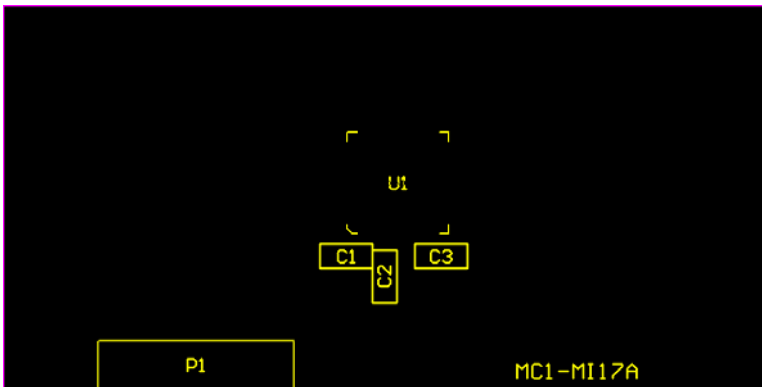
Schematic:



MC1-MI17A PCB Layout:



MC1-MI17A Assembly Drawing:



Minimum supported devices and its vendors:

HITTITE
HMC570LCS
HMC571LCS
HMC572LCS

Bill of Material Example:

Used	Part Type	Designator	Footprint
3	0.01uF	C1 C2 C3	0603
1	MIXER_HMC570LCS	U1	LC5
1	PIN4	P1	P2_CON4_S