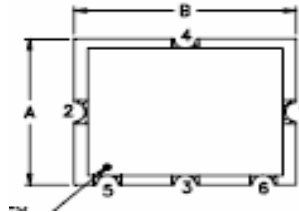


RoHS Compliant & Pb Free Product

MC1-MI16A:

- Category: Mixer
- Device Package: TTT167 (Mini-Circuits)
- Cell Size: Single (1x1)
- PCB Material/Layer Details: RO4350/2 layer with thickness 0.020"

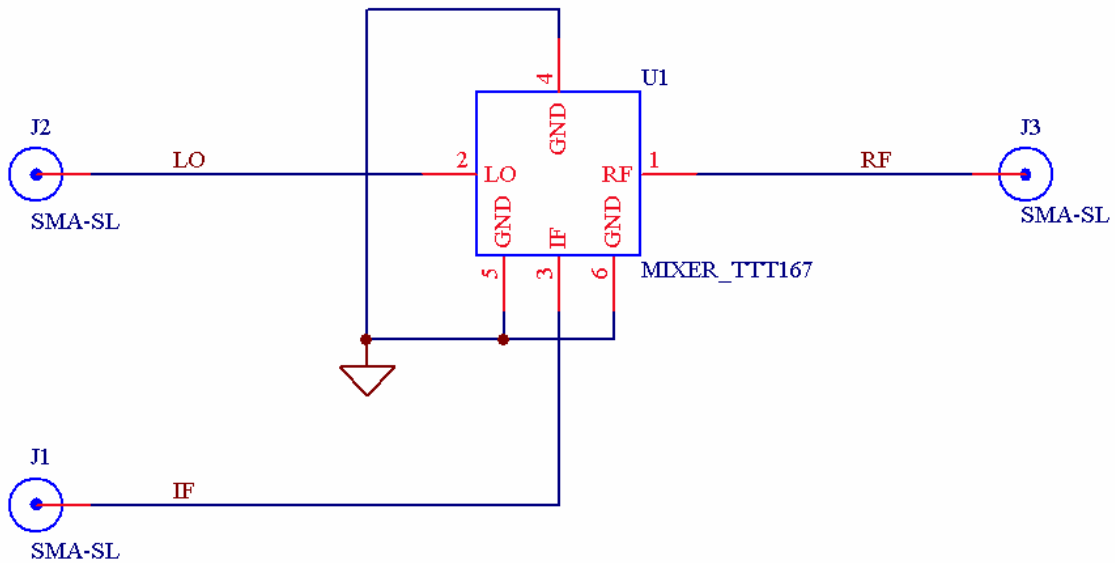
Supported Device Package and Its Pin Allocation:



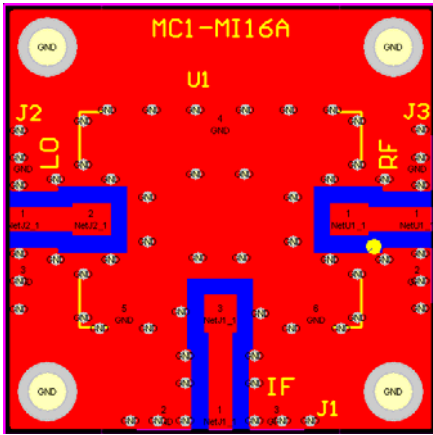
| Pin | Function |
|-------|----------|
| 2 | LO |
| 1 | RF |
| 3 | IF |
| 4,5,6 | GND |

- SYM-10DH
- SYM-11
- SYM-14H
- SYM-18H
- SYM-20DH
- SYM-22H
- SYM-24DH
- SYM-2500
- SYM-36H

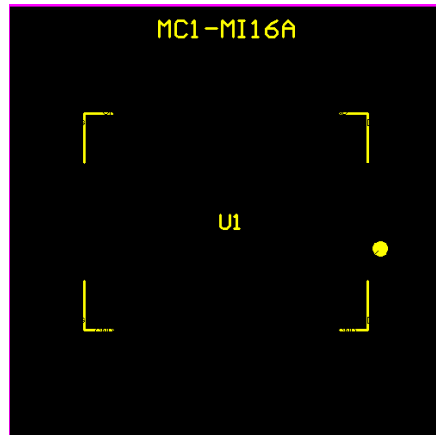
Schematic:



MC1-MI16A PCB Layout:



MC1-MI16A Assembly Drawing:



Minimum supported devices and its vendors:

| Mini-circuits |
|---------------|
| SYM-10DH |
| SYM-11 |
| SYM-14H |
| SYM-18H |
| SYM-20DH |
| SYM-22H |
| SYM-24DH |
| SYM-2500 |
| SYM-36H |

Bill of Material Example:

| Used | Part Type | Designator | Footprint |
|------|--------------|------------|-----------|
| 1 | MIXER_TTT167 | U1 | TTT167 |