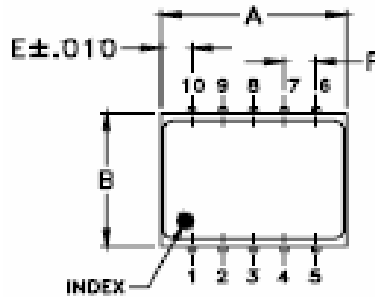


RoHS Compliant & Pb Free Product

MC1-MI15A:

- Category: Mixer
- Device Package: DZ885-LD (Mini-Circuits)
- Cell Size: Single (1x1)
- PCB Material/Layer Details: RO4350/2 layer with thickness 0.020"

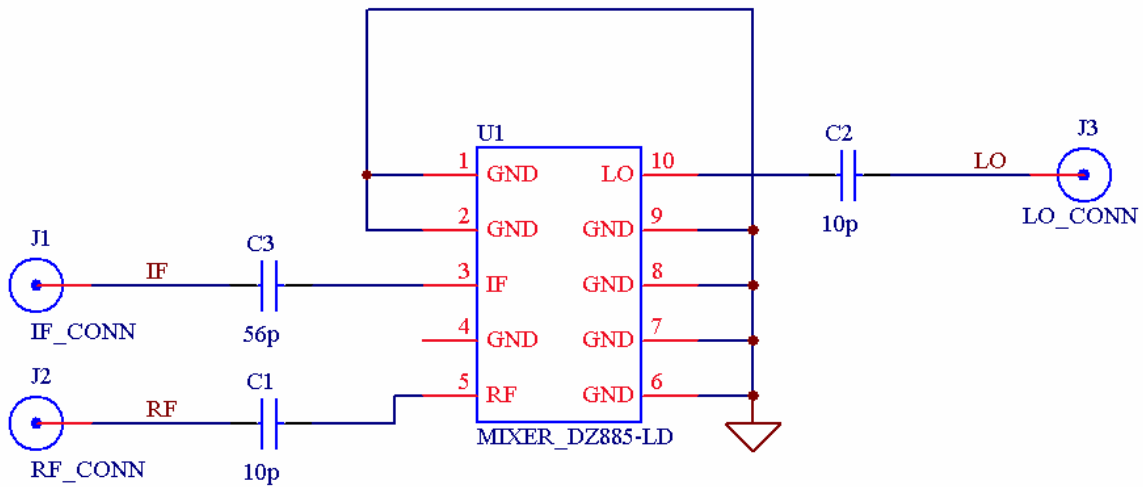
Supported Device Package and Its Pin Allocation:



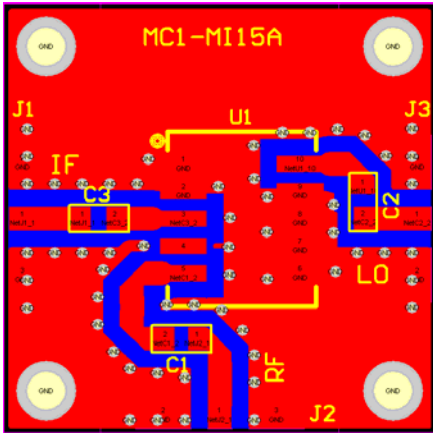
Pin	Function
10	LO
5	RF
3	IF
1,2,4,6,7,8,9	GND

MCA1-24
MCA1-42
MCA1-35H
MCA-50H
MCA1-60

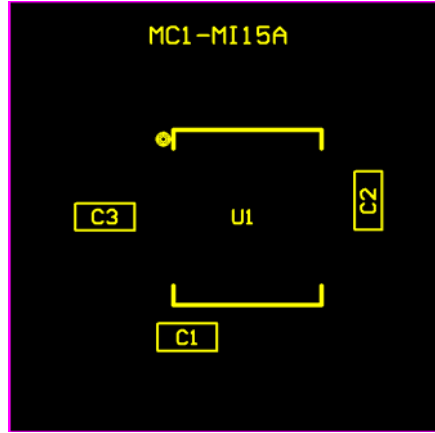
Schematic:



MC1-MI15A PCB Layout:



MC1-MI15A Assembly Drawing:



Minimum supported devices and its vendors:

Mini-circuits
MCA1-24
MCA1-42
MCA-35H
MCA-50H
MCA1-60

Bill of Material Example:

Used	Part Type	Designator	Footprint
2	10p	C1 C2	0603
1	56p	C3	0603
1	MIXER_DZ885-LD	U1	DZ885