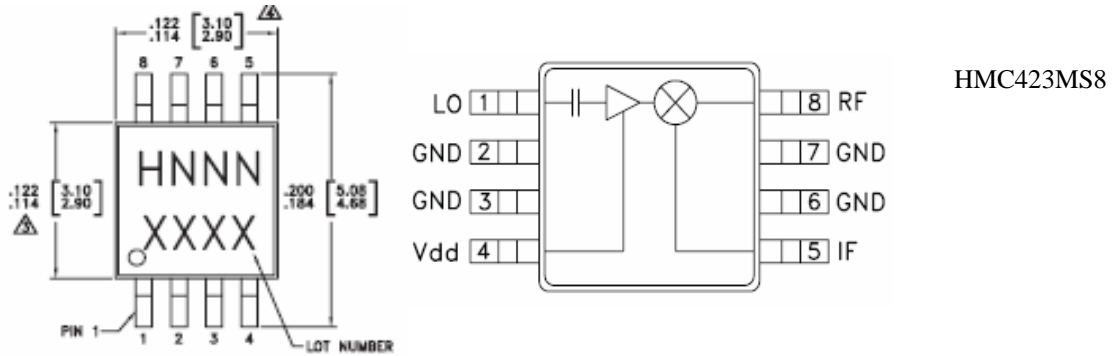


RoHS Compliant & Pb Free Product

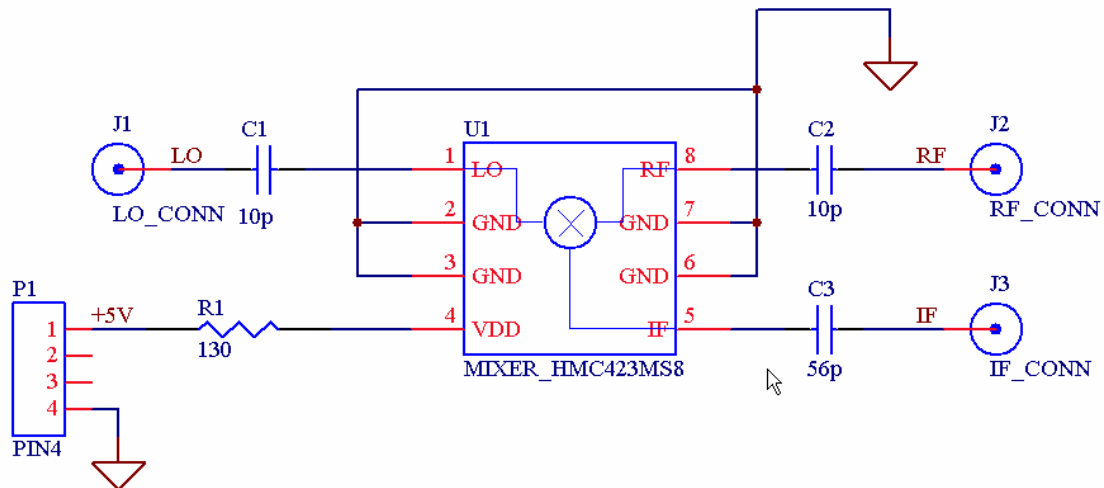
MC1-MI14A:

- Category: Mixer
- Device Package: MSOP-8 (Hittite)
- Cell Size: Single (1x1)
- PCB Material/Layer Details: RO4350/4 layer with thickness 0.030"

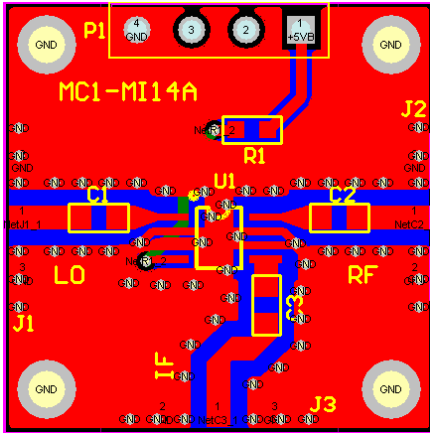
Supported Device Package and Its Pin Allocation:



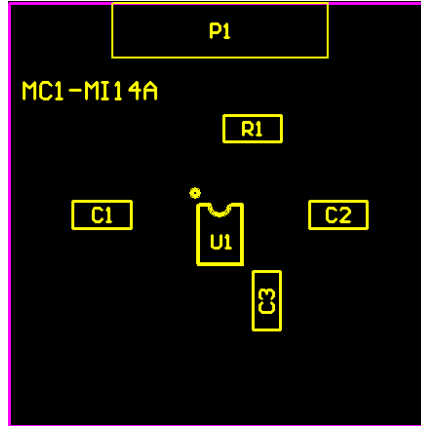
Schematic:



MC1-MI14A PCB Layout:



MC1-MI14A Assembly Drawing:



Minimum supported devices and its vendors:

Hittite: HMC423MS8

Bill of Material Example:

Used	Part Type	Designator	Footprint
2	10p	C1 C2	0603
1	56p	C3	0603
1	130	R1	0603
1	MIXER_HMC423MS8	U1	MSOP-8
1	PIN4	P1	P2_CON4_S