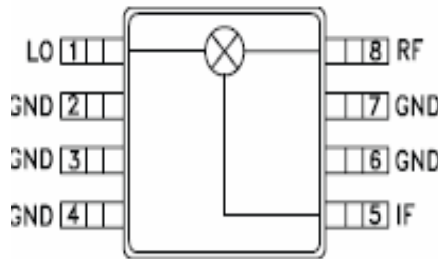
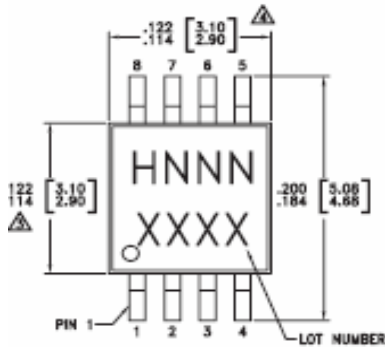


RoHS Compliant & Pb Free Product

MC1-MI10A:

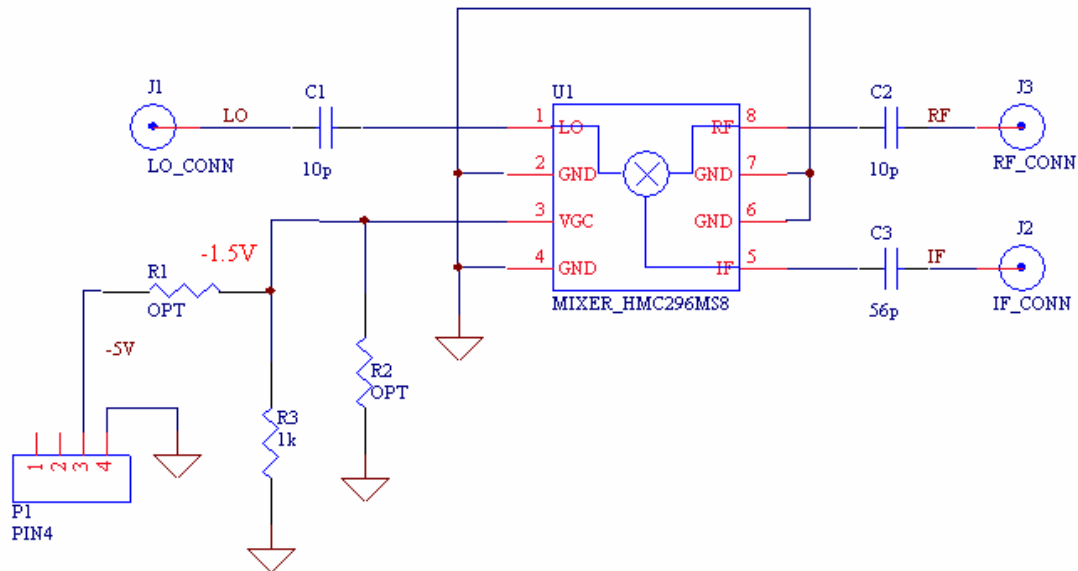
- Category: Mixer
- Device Package: MSOP-8 (Hittite)
- Cell Size: Single (1x1)
- PCB Material/Layer Details: RO4350/4 layer with thickness 0.030"

Supported Device Package and Its Pin Allocation:



- HMC108MS8
- HMC116MS8
- HMC196MS8
- HMC316MS8
- HMC350MS8
- HMC387MS8

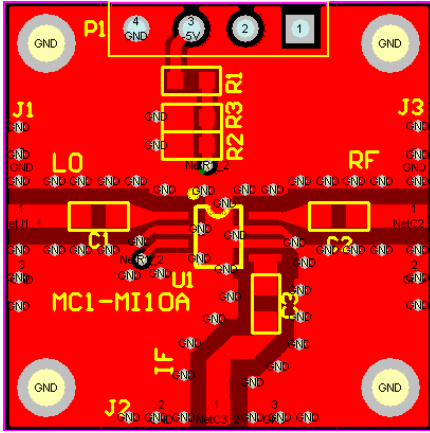
Schematic:



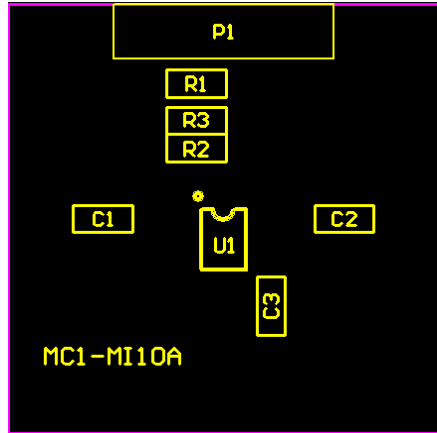
OPTION TABLE

HITTITE	R2	R1
HMC208MS8	0 OHM	NEQ
HMC316MS8	0 OHM	NEQ
HMC350MS8	0 OHM	NEQ
HMC387MS8	0 OHM	NEQ
HMC296MS8	NEQ	1.3k
HMC216MS8	NEQ	1.3k

MC1-MI10A PCB Layout:



MC1-MI10A Assembly Drawing:



Minimum supported devices and its vendors:

HITTITE
HMC208MS8
HMC316MS8
HMC350MS8
HMC387MS8
HMC296MS8
HMC216MS8

Bill of Material Example:

Used	Part Type	Designator	Footprint
1	1k	R3	0603
2	10p	C1 C2	0603
1	56p	C3	0603
1	MIXER_HMC296MS8	U1	MSOP-8
2	OPT	R1 R2	0603
1	PIN4	P1	P2_CON4_S