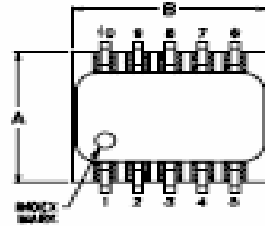


RoHS Compliant & Pb Free Product

MC1-MI09A:

- Category: Mixer
- Device Package: SM2-LE (Mini-Circuits)
- Cell Size: Single (1x1)
- PCB Material/Layer Details: RO4350/2 layer with thickness 0.020"

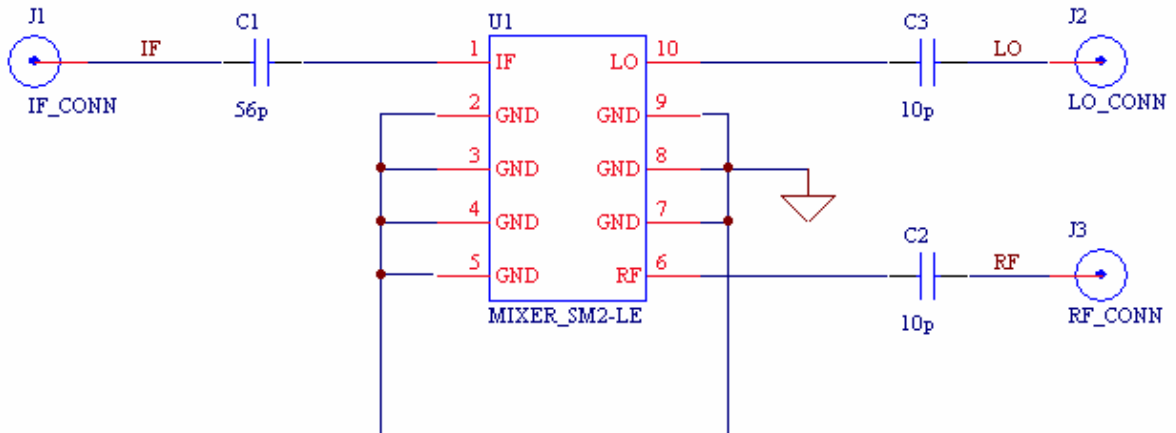
Supported Device Package and Its Pin Allocation:

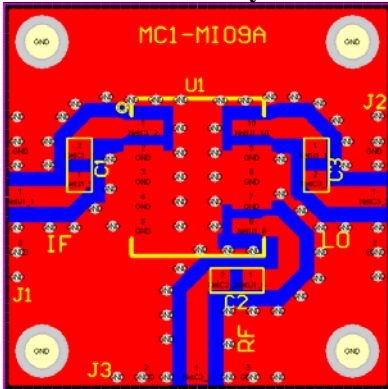
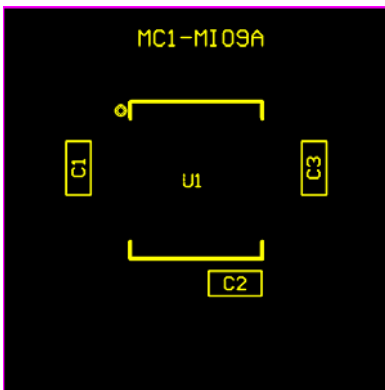


| Pin | Function |
|---------------|----------|
| 10 | LO |
| 6 | RF |
| 1 | IF |
| 2,3,4,5,7,8,9 | GND |

MBA-591
MBA-681

Schematic:



MC1-MI09A PCB Layout:

MC1-MI09A Assembly Drawing:

Minimum supported devices and its vendors:

| Mini-circuits |
|---------------|
| MBA-591 |
| MBA-671 |

Bill of Material Example:

| Used | Part Type | Designator | Footprint |
|------|--------------|------------|-----------|
| 2 | 10p | C2 C3 | 0603 |
| 1 | 56p | C1 | 0603 |
| 1 | MIXER_SM2-LE | U1 | SM2 |