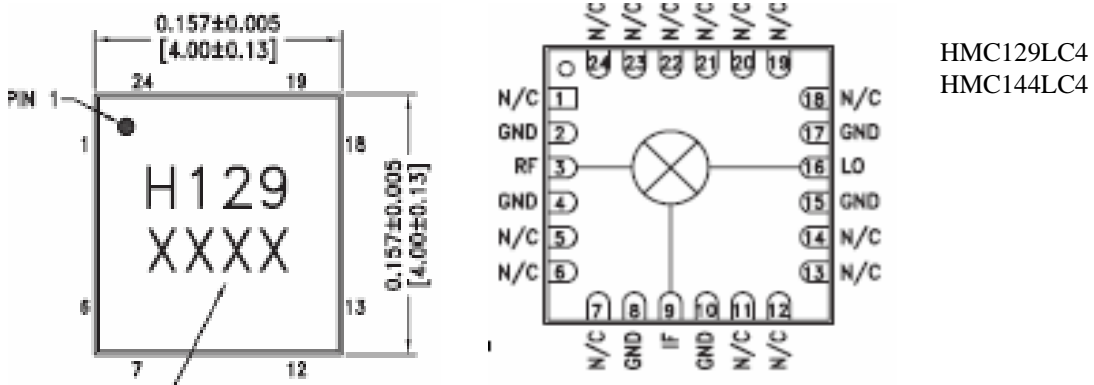


**RoHS Compliant & Pb Free Product**

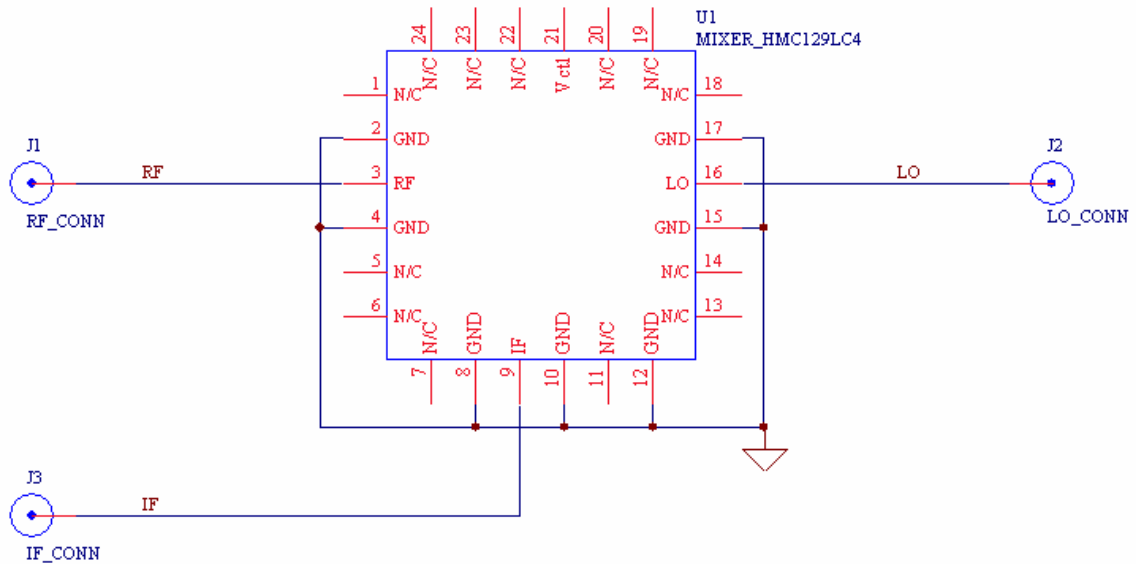
**MC1-MI06A:**

- Category: Mixer
- Device Package: LC4 (Hittite)
- Cell Size: Single (1x1)
- PCB Material/Layer Details: RO4350/2 layer with thickness 0.020"

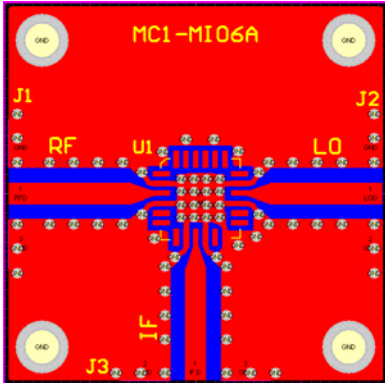
**Supported Device Package and Its Pin Allocation:**



**Schematic:**



**MC1-MI06A PCB Layout:**



**MC1-MI06A Assembly Drawing:**



**Minimum supported devices and its vendors:**

HITTITE
HMC129LC4
HMC144LC4

**Bill of Material Example:**

Used	Part Type	Designator	Footprint
1	MIXER_HMC129LC4	U1	LC4