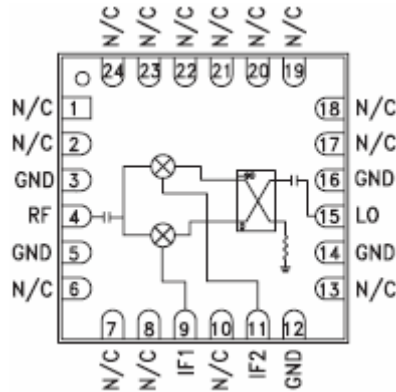
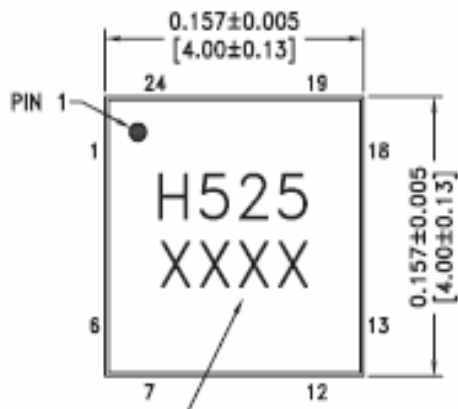


RoHS Compliant & Pb Free Product

MC1-MI05A:

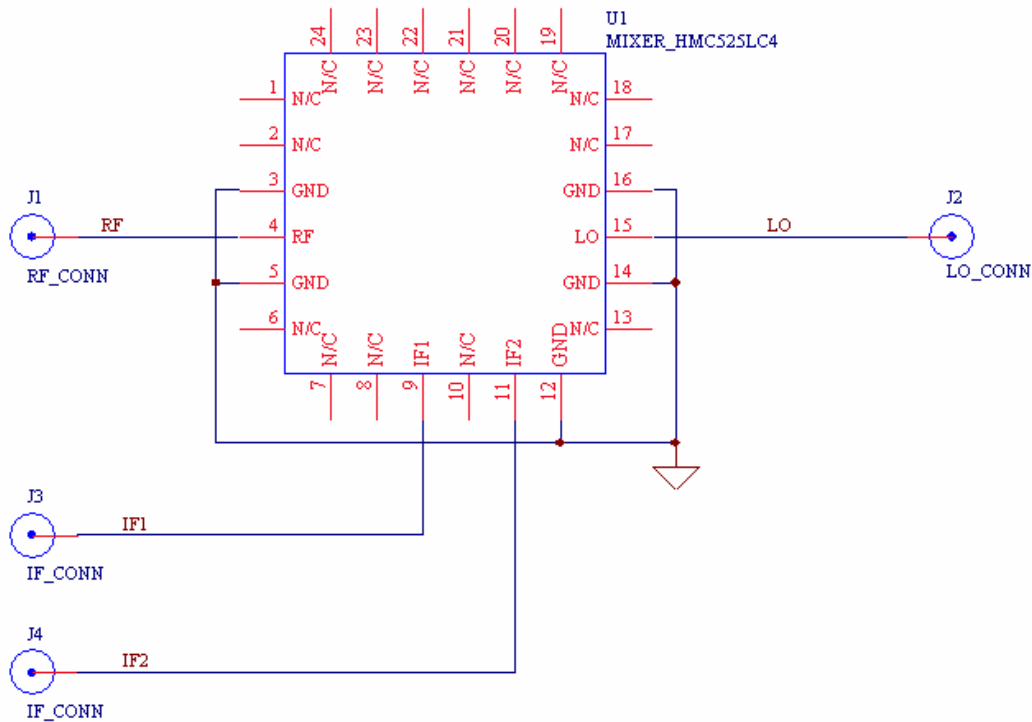
- Category: Mixer
- Device Package: LC4 (Hittite)
- Cell Size: Single (1x2)
- PCB Material/Layer Details: RO4350/2 layer with thickness 0.020"

Supported Device Package and Its Pin Allocation:

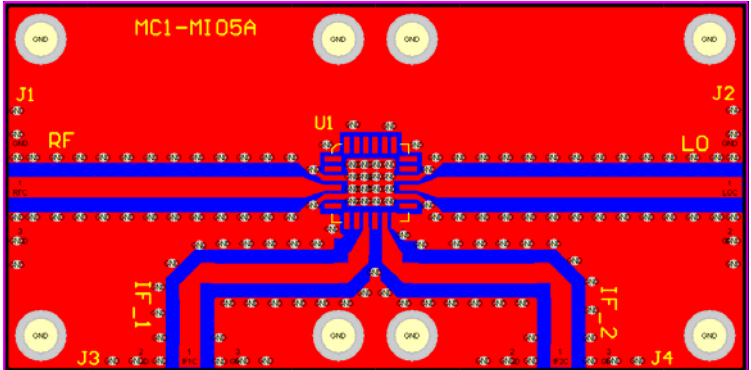


- HMC525LC4
- HMC526LC4
- HMC521LC4
- HMC523LC4
- HMC527LC4
- HMC528LC4
- HMC520LC4
- HMC522LC4

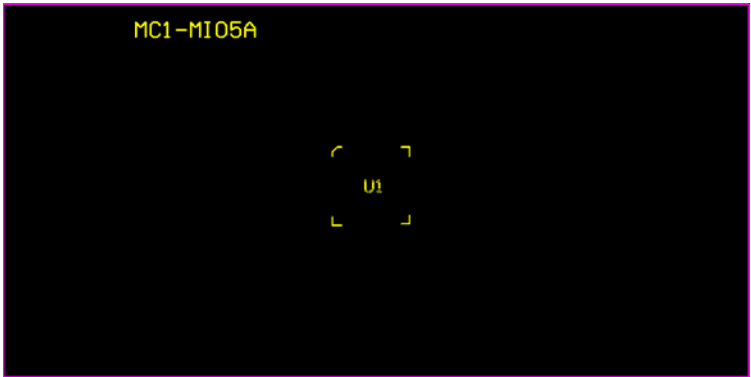
Schematic:



MC1-MI05A PCB Layout:



MC1-MI05A Assembly Drawing:



Minimum supported devices and its vendors:

HITTITE
HMCS25LC4
HMCS26LC4
HMCS21LC4
HMCS23LC4
HMCS27LC4
HMCS28LC4
HMCS20LC4
HMCS22LC4

Bill of Material Example:

Used	Part Type	Designator	Footprint
1	MIXER_HMC525LC4	U1	LC4