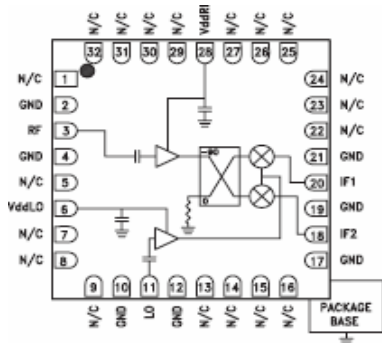


**RoHS Compliant & Pb Free Product**

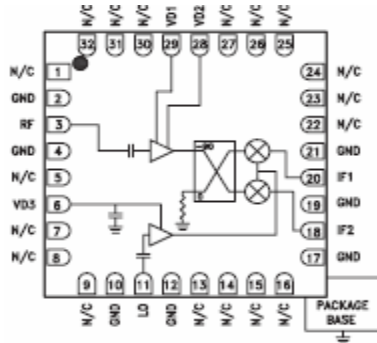
**MC1-MI04A:**

- Category: Mixer
- Device Package: LC5 (Hittite)
- Cell Size: Single (1x2)
- PCB Material/Layer Details: RO4350/4 layer with thickness 0.030"

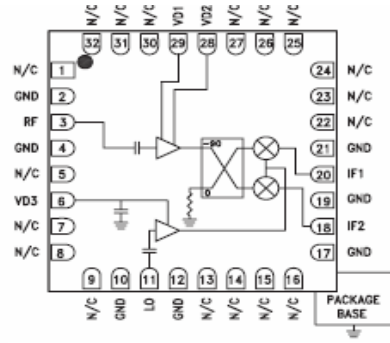
**Supported Device Package and Its Pin Allocation:**



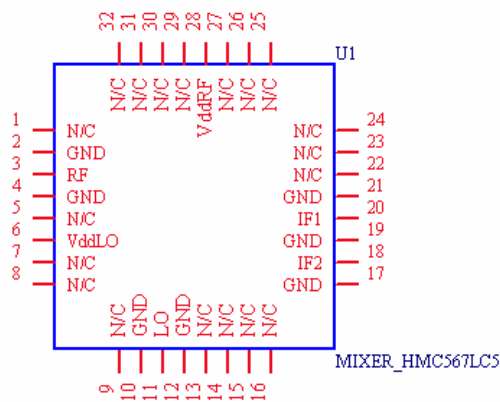
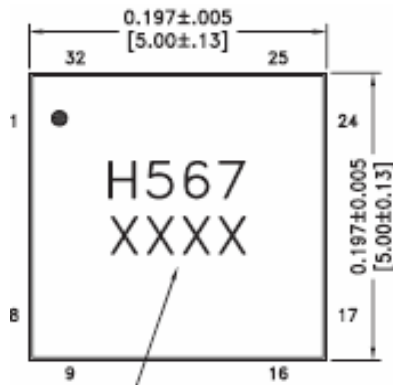
HMC567LC5



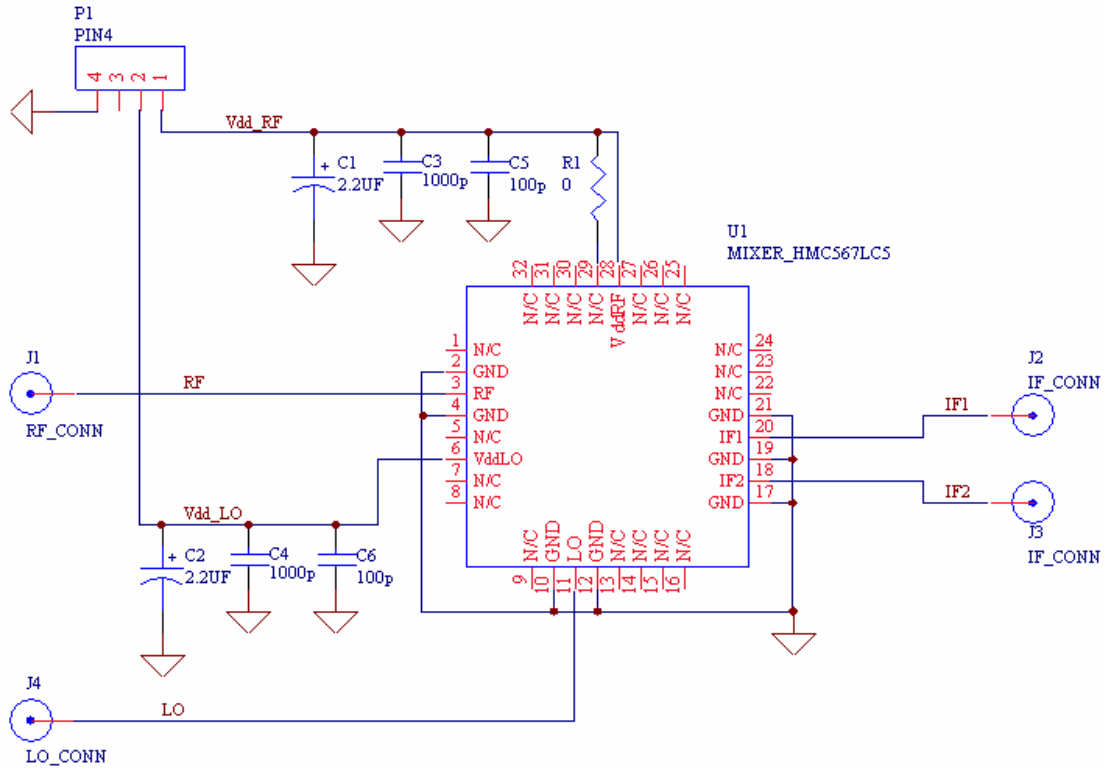
HMC568LC5



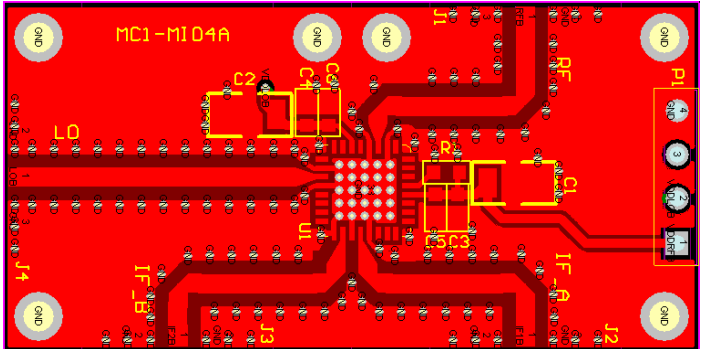
HMC569LC5



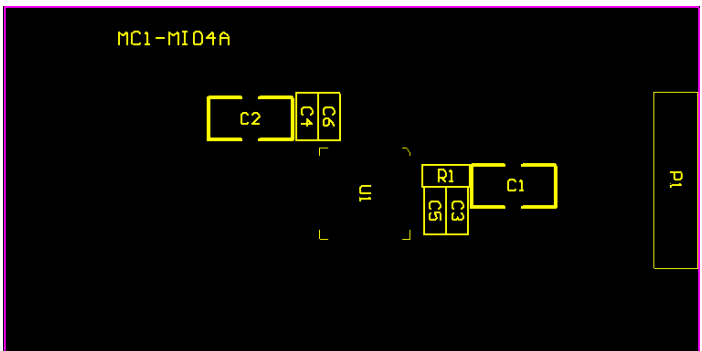
**Schematic:**



**MC1-MI04A PCB Layout:**



**MC1-MI04A Assembly Drawing:**



**Minimum supported devices and its vendors:**

HITTITE
HMC567LC5
HMC568LC5
HMC569LC5

**Bill of Material Example:**

Used	Part Type	Designator	Footprint
1	0	R1	0603
2	2.2UF	C1 C2	1206
2	100p	C5 C6	0603
2	1000p	C3 C4	0603
1	MIXER_HMC567LC5	U1	LC5
1	PIN4	P1	P2_CON4_S