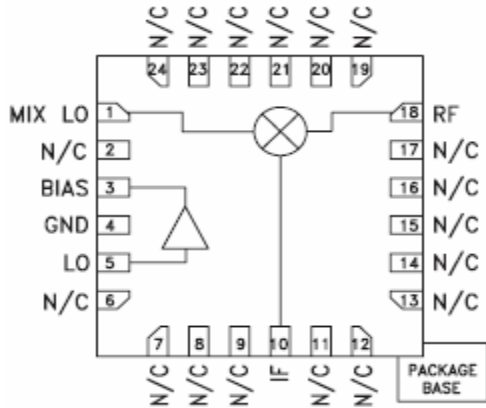


RoHS Compliant & Pb Free Product

MC1-MI03A:

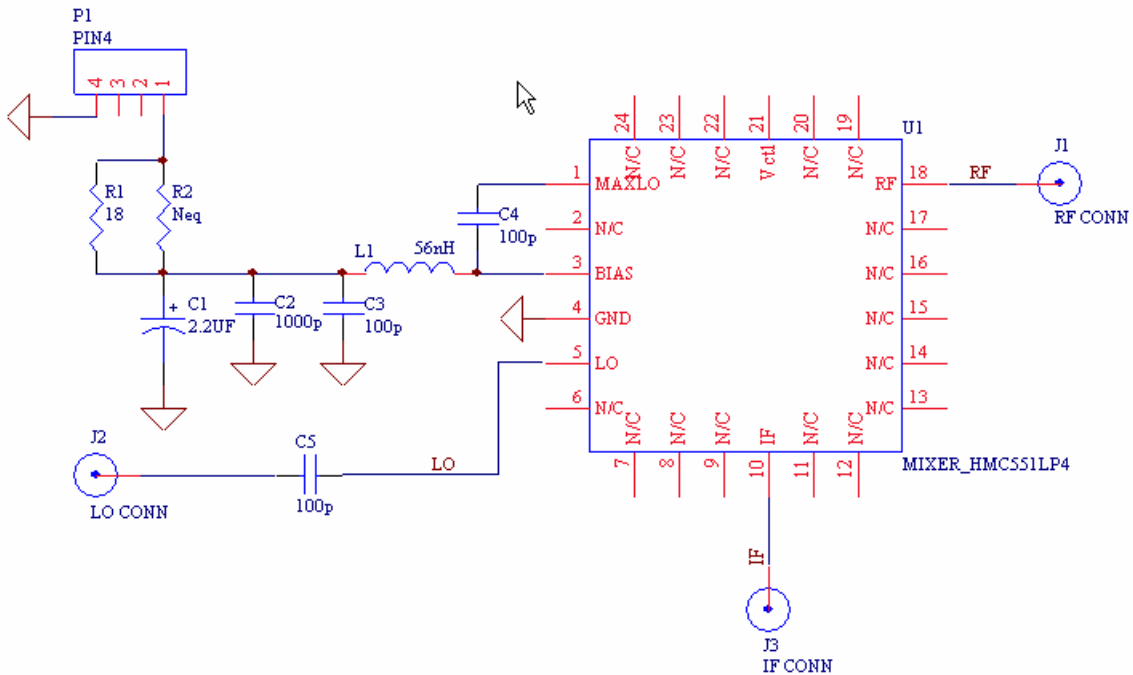
- Category: Mixer
- Device Package: LP4 (Hittite)
- Cell Size: Single (1x1)
- PCB Material/Layer Details: RO4350/2 layer with thickness 0.020"

Supported Device Package and Its Pin Allocation:



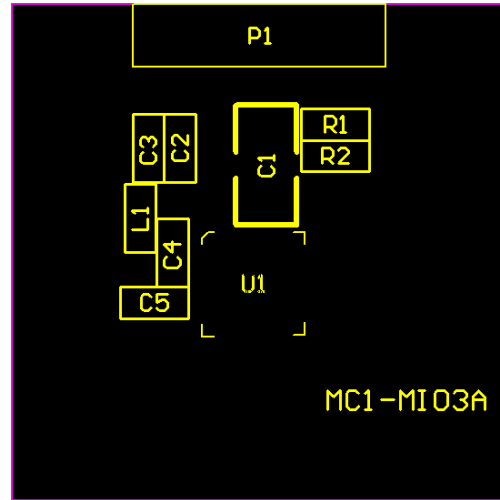
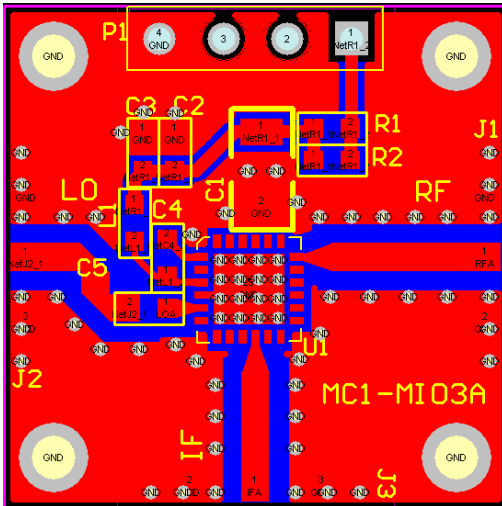
HMC551LP4
HMC552LP4
HMC115LP4
HMC615LP4

Schematic:



MC1-MI03A PCB Layout:

MC1-MI03A Assembly Drawing:



Minimum supported devices and its vendors:

HITTITE
HMC551LP4
HMC552LP4
HMC215LP4
HMC615LP4

Bill of Material Example:

Used	Part Type	Designator	Footprint
1	2.2UF	C1	1206
1	18	R1	0603
1	56nH	L1	0603
3	100p	C3 C4 C5	0603
1	1000p	C2	0603
1	MIXER_HMC551LP4	U1	LP4
1	Neq	R2	0603
1	PIN4	P1	P2_CON4_S