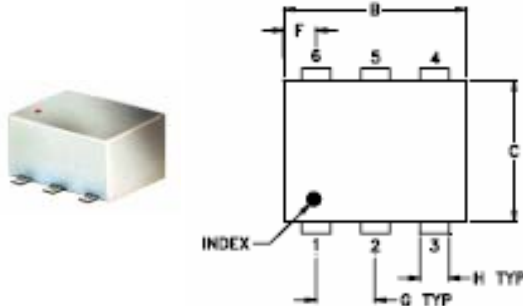


RoHS Compliant & Pb Free Product

MC1-MI02A:

- Category: Mixer
- Device Package: CD542_CDHT (Mini-Circuits)
- Cell Size: Single (1x1)
- PCB Material/Layer Details: RO4350/2 layer with thickness 0.020"

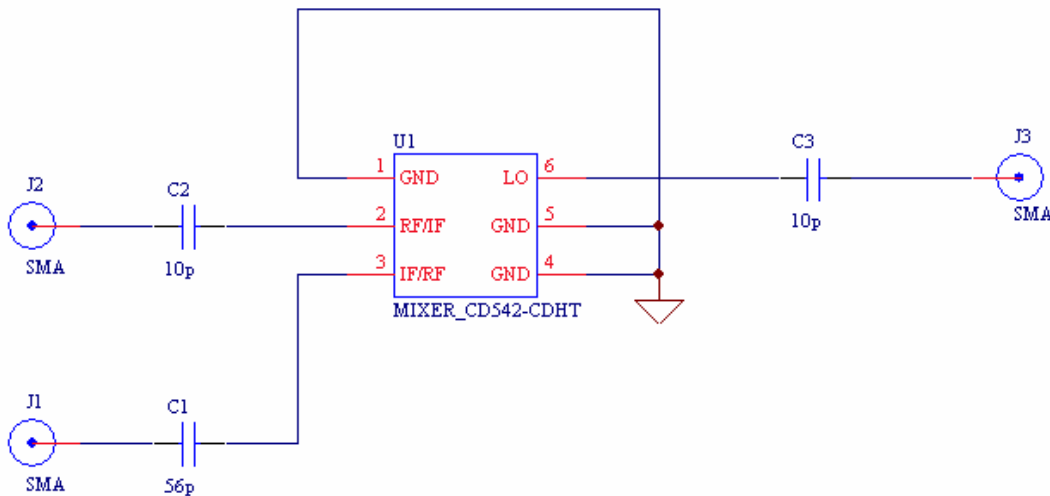
Supported Device Package and Its Pin Allocation:



Pin	Function
6	LO
3	RF or IF
2	IF or RF
1,4,5	GND

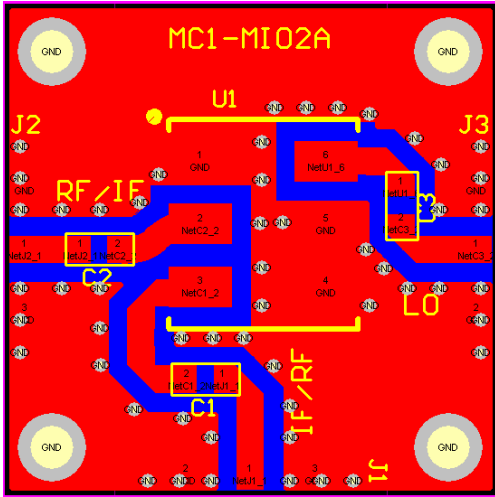
ADE-17H
ADE-25MH
ADE-4
ADE-42MH
ADE-5
ADE-11X

Schematic:

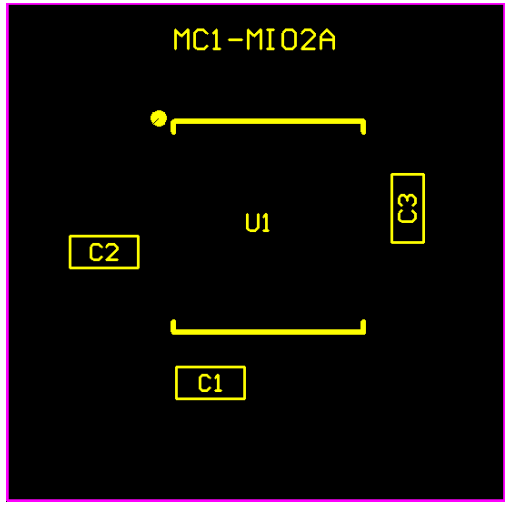


U2 PIN DEFINITION		
	PIN 2	PIN 3
CD542-CD	RF	IF
CD542-HT	IF	RF

MC1-MI02A PCB Layout:



MC1-MI02A Assembly Drawing:



Minimum supported devices and its vendors:

Mini-circuits	
ADE-17H	
ADE-25MH	
ADE-4	
ADE-42MH	
ADE-5	
ADE-11X	

Bill of Material Example:

Used	Part Type	Designator	Footprint
2	10p	C2 C3	0603
1	56p	C1	0603
1	MIXER_CD542-CDHT	U1	CD542