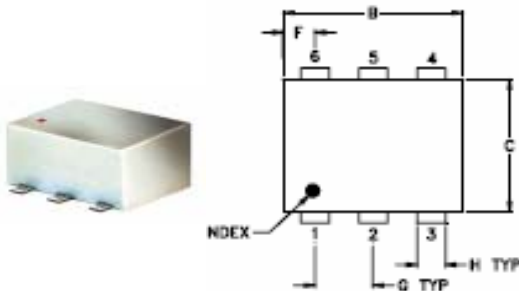


**RoHS Compliant & Pb Free Product**

**MC1-MI01A:**

- Category: Mixer
- Device Package: CD542\_JVJW (Mini-Circuits)
- Cell Size: Single (1x1)
- PCB Material/Layer Details: RO4350/2 layer with thickness 0.020"

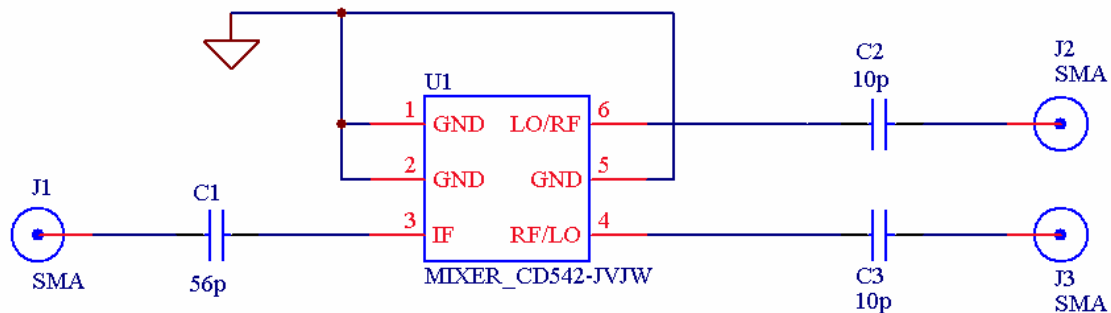
**Supported Device Package and Its Pin Allocation:**



Pin	Function
6	LO or RF
4	RF or LO
3	IF
1,2,5	GND

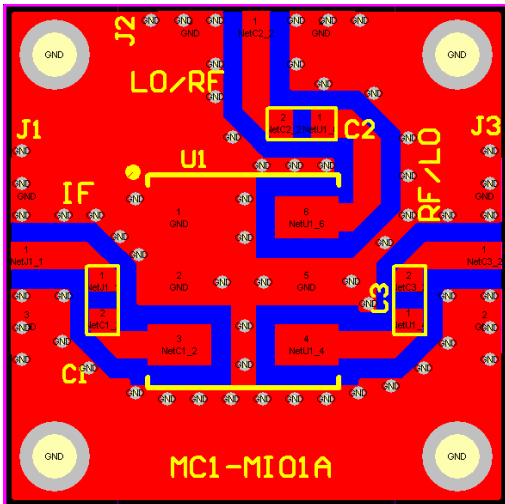
ADE-14  
ADE-35  
ADE-901  
ADE-10H  
ADE-18

**Schematic:**

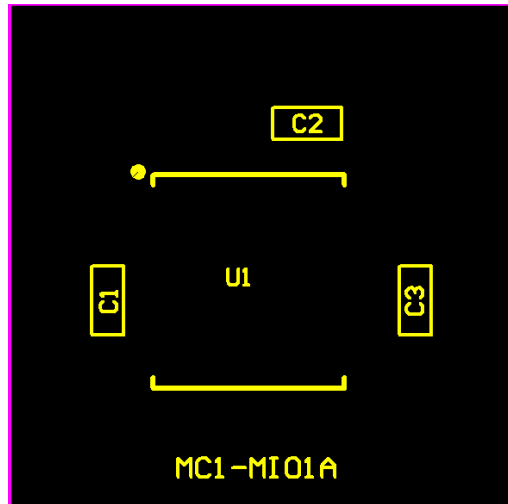


U1 PIN DEFINITION		
	PIN 4	PIN 6
CD542-JV	RF	LO
CD542-JW	LO	RF

**MC1-MI01A PCB Layout:**



**MC1-MI01A Assembly Drawing:**



**Minimum supported devices and its vendors:**

Mini-circuits
ADE-14
ADE-35
ADE-901
ADE-10H
ADE-18

**Bill of Material Example:**

Used	Part Type	Designator	Footprint
2	10p	C2 C3	0603
1	56p	C1	0603
1	MIXER_CD542-JVJW	U1	CD542