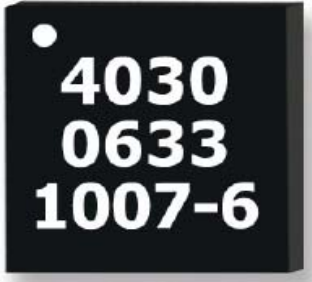


**RoHS Compliant & Pb Free Product**

**MC1-AM18A:**

- Category: Amplifier
- Device Package: QFN 3x3mm<sup>2</sup>
- Cell Size: Single (1x1)
- PCB Material/Layer Details: RO4350/2 layer with thickness 0.020"

**Supported Device Package and Its Pin Allocation:**



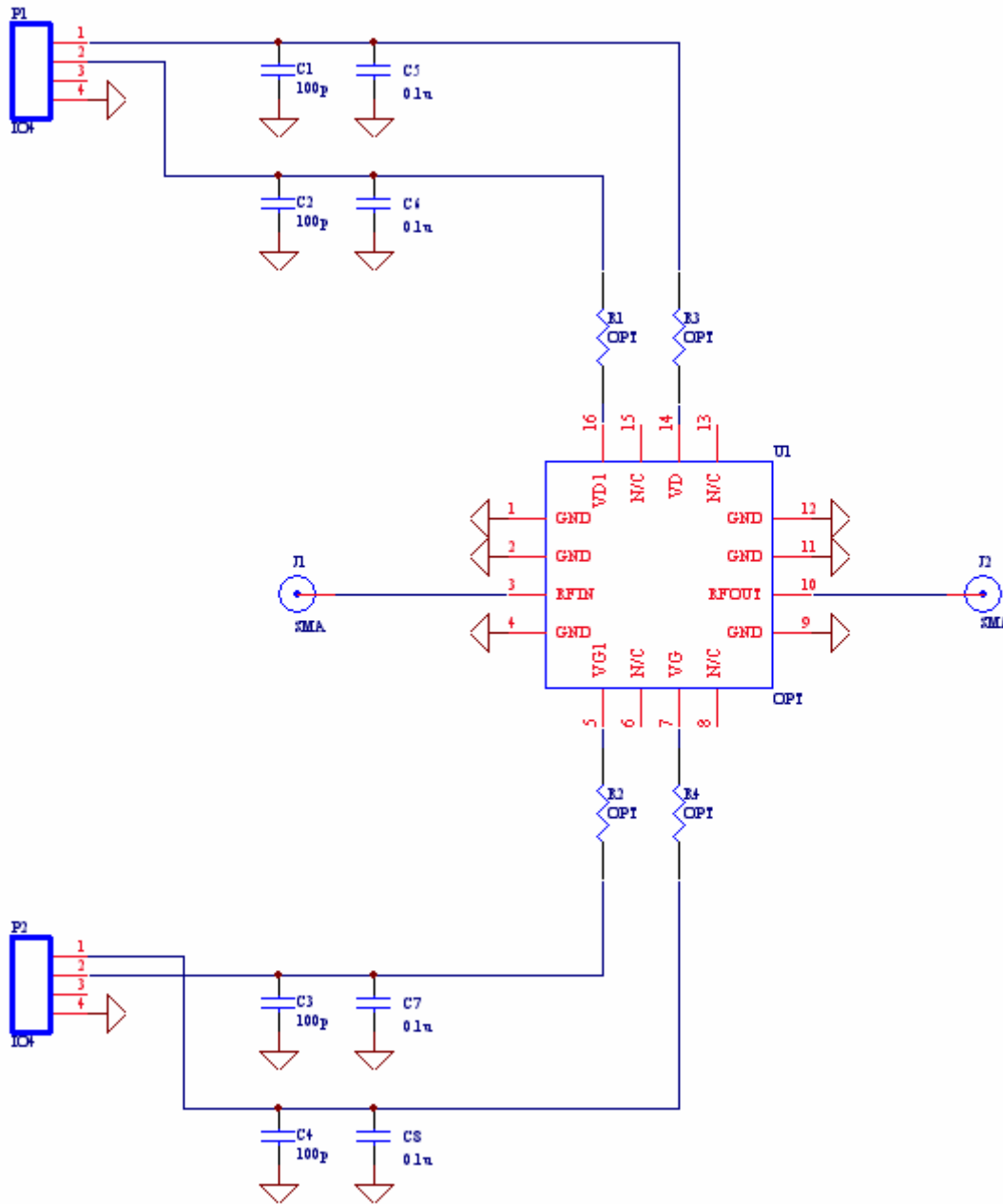
Pin	Description	Pin	Description
1, 2, 4, 9, 11, 12	GND	7	Vg
3	RF IN	10	RF OUT
5	Vg1	14	Vd
6, 8, 13, 15	N/C	16	Vd1

TGA-4030

Pin	Description	Pin	Description
1, 2, 4, 9, 11, 12	GND	7	Vg
3	RF IN	10	RF OUT
5	Vg1	14	Vd
6, 8, 13, 15	N/C	16	Vd1

TGA-4031

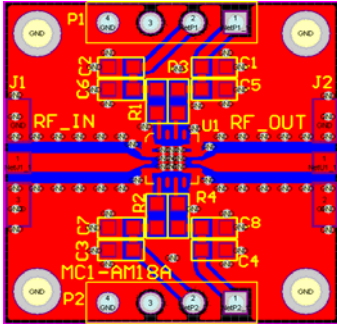
### Schematic:



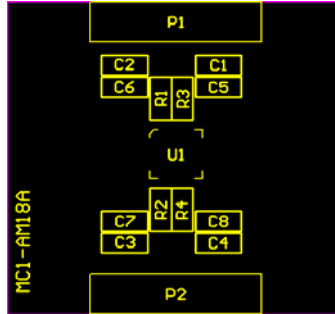
### Option Table

	R1	R2	R3	R4
TGA4030-SM	0	0	0	0
TGA4031-SM	0	0	0	0

**MC1-AM18A PCB Layout:**



**MC1-AM18A Assembly Drawing**



**Minimum supported devices and its vendors:**

Triquint
TGA4030-SM
TGA4031-SM

**Bill of Material Example:**

Used	Part Type	Designator	Footprint
4	0.1u	C5 C6 C7	0603
4	100p	C1 C2 C3	0603
2	I04	P1 P2	P2_CON4_S
1	OPT	U1	16L-QFN3X3
4	OPT	R1 R2 R3	0603
		R4	