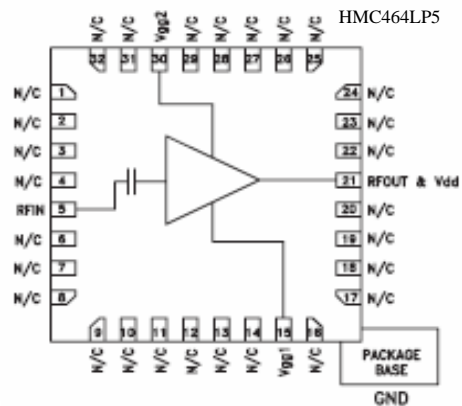
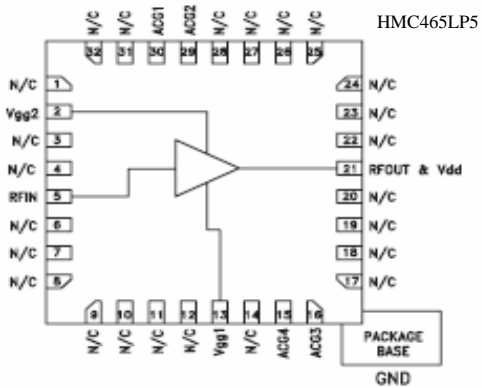
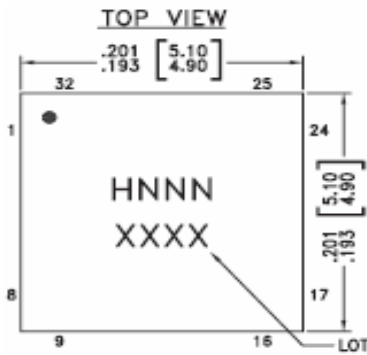


**RoHS Compliant & Pb Free Product**

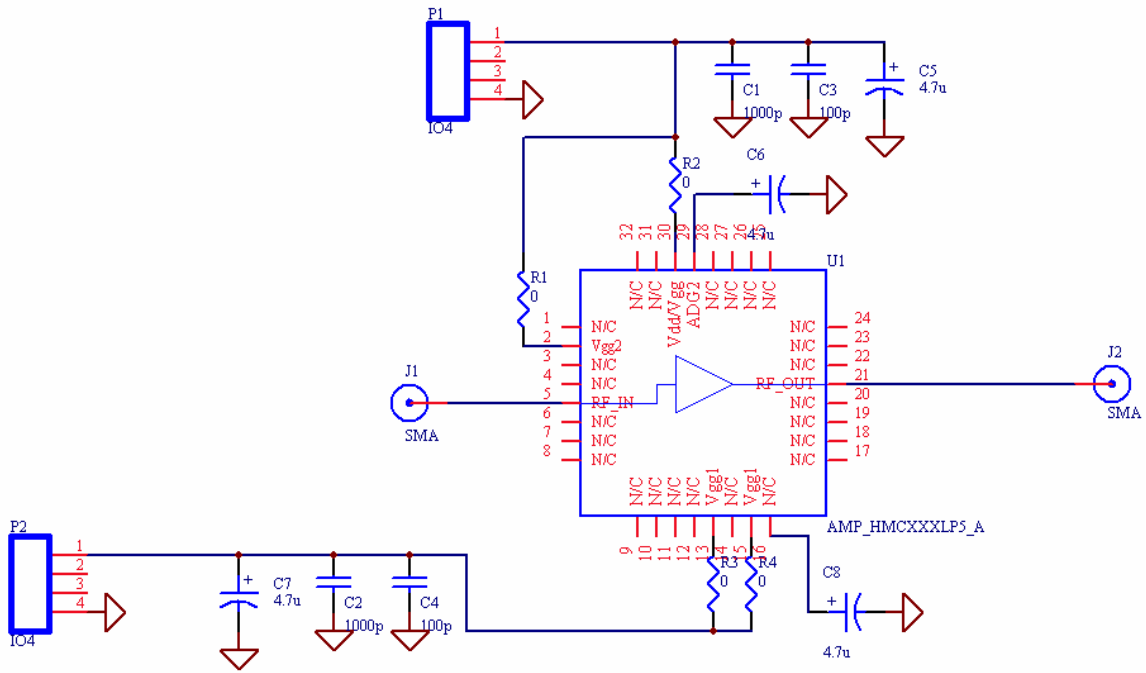
**MC1-AM20A:**

- Category: Amplifier
- Device Package: LP5
- Cell Size: Single (1x1)
- PCB Material/Layer Details: RO4350/2 layer with thickness 0.020"

**Supported Device Package and Its Pin Allocation:**



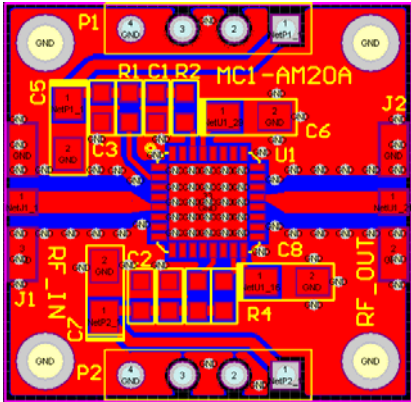
**Schematic:**



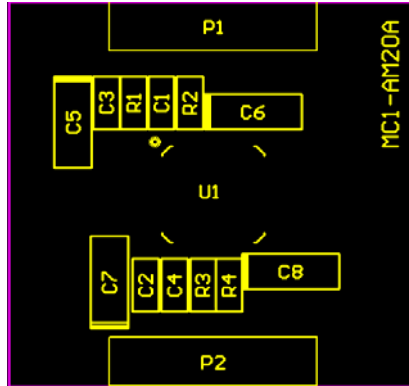
## Option Table

	R1	R2	R3	R4
HMC464LP5	Neq	0	Neq	0
HMC465LP5	0	Neq	0	Neq

**MC1-AM20A PCB Layout:**



**MC1-AM20A Assembly Drawing**



**Minimum supported devices and its vendors:**

Hittite
HMC464LP5 HMC465LP5

**Bill of Material Example:**

Used	Part	Type	Designator	Footprint
4	0		R1 R2 R3 R4	0603
4	4.7u		C5 C6 C7 C8	A
2	100p		C3 C4	0603
2	1000p		C1 C2	0603
1	AMP_HMCXXXLP5_A		U1	LP5
2	IO4		P1 P2	P2_CON4_S