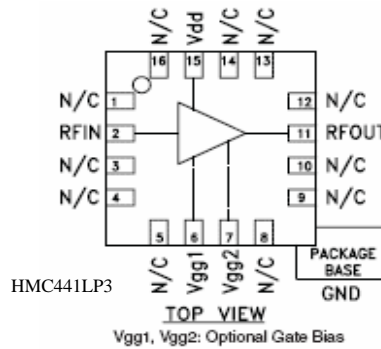
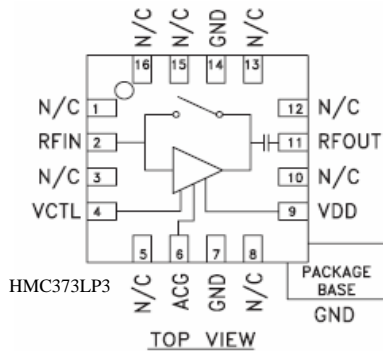
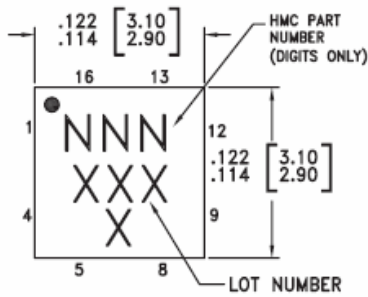


RoHS Compliant & Pb Free Product

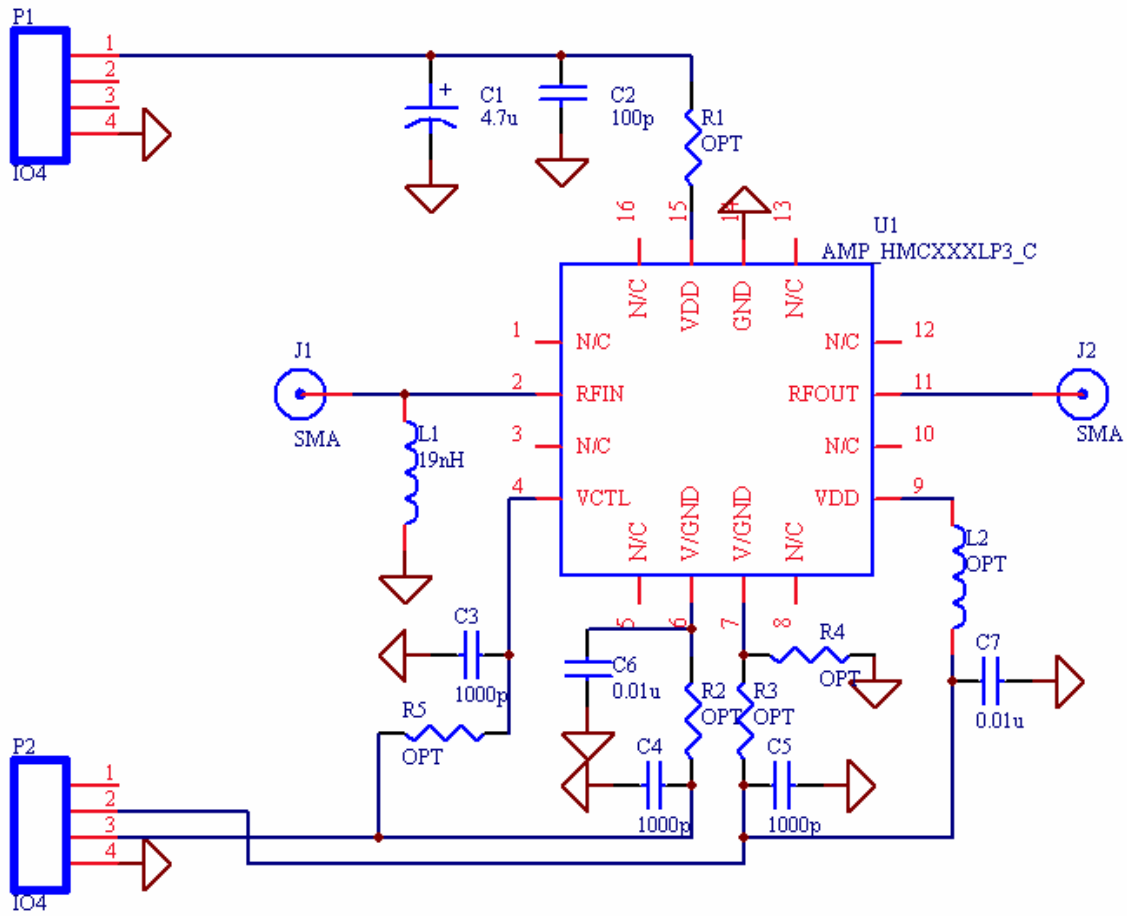
MC1-AM19A:

- Category: Amplifier
- Device Package: LP3
- Cell Size: Single (1x1)
- PCB Material/Layer Details: RO4350/2 layer with thickness 0.020"

Supported Device Package and Its Pin Allocation:



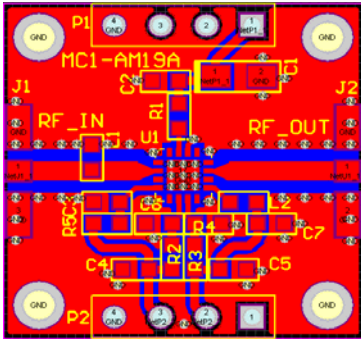
Schematic:



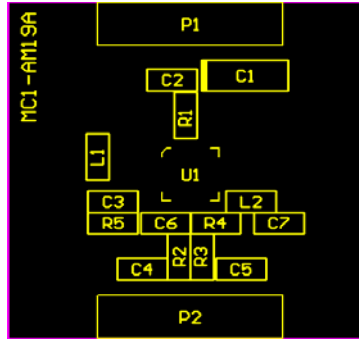
Option Table

| | R1 | R2 | R3 | R4 | R5 | L2 |
|-----------|-----|----|-----|-----|------|------|
| HMC373LP3 | Neq | 0 | Neq | 0 | 2ohm | 18nH |
| HMC441LP3 | 0 | 0 | 0 | Neq | Neq | Neq |

MC1-AM19A PCB Layout:



MC1-AM19A Assembly Drawing



Minimum supported devices and its vendors:

| |
|------------------------|
| Hittite |
| HMC373LP3 HMC441LP3 |

Bill of Material Example:

| Used Part Type | Designator | Footprint |
|-------------------|----------------------|-----------|
| 2 0.01u | C6 C7 | 0603 |
| 1 4.7u | C1 | A |
| 1 19nH | L1 | 0603 |
| 1 100p | C2 | 0603 |
| 3 1000p | C3 C4 C5 | 0603 |
| 1 AMP_HMCXXXLP3_C | U1 | LP3 |
| 2 IO4 | P1 P2 | P2_CON4_S |
| 6 OPT | L2 R1 R2 R3 R4 R5 | 0603 |