

**RoHS Compliant & Pb Free Product**

**MC1-AM17A:**

- Category: Amplifier
- Device Package: QFN 4x4mm<sup>2</sup>
- Cell Size: Single (1x1)
- PCB Material/Layer Details: RO4350/2 layer with thickness 0.020"

**Supported Device Package and Its Pin Allocation:**



Pin	Description
1, 5, 6, 10, 11, 15, 16, 20, 21	GND
2, 4, 8, 12, 14, 18	NC
3	RF Input
7 and/or 19	Vg
9 and/or 17 <u>1</u> /	Vd
13	RF Output

TGA-4509

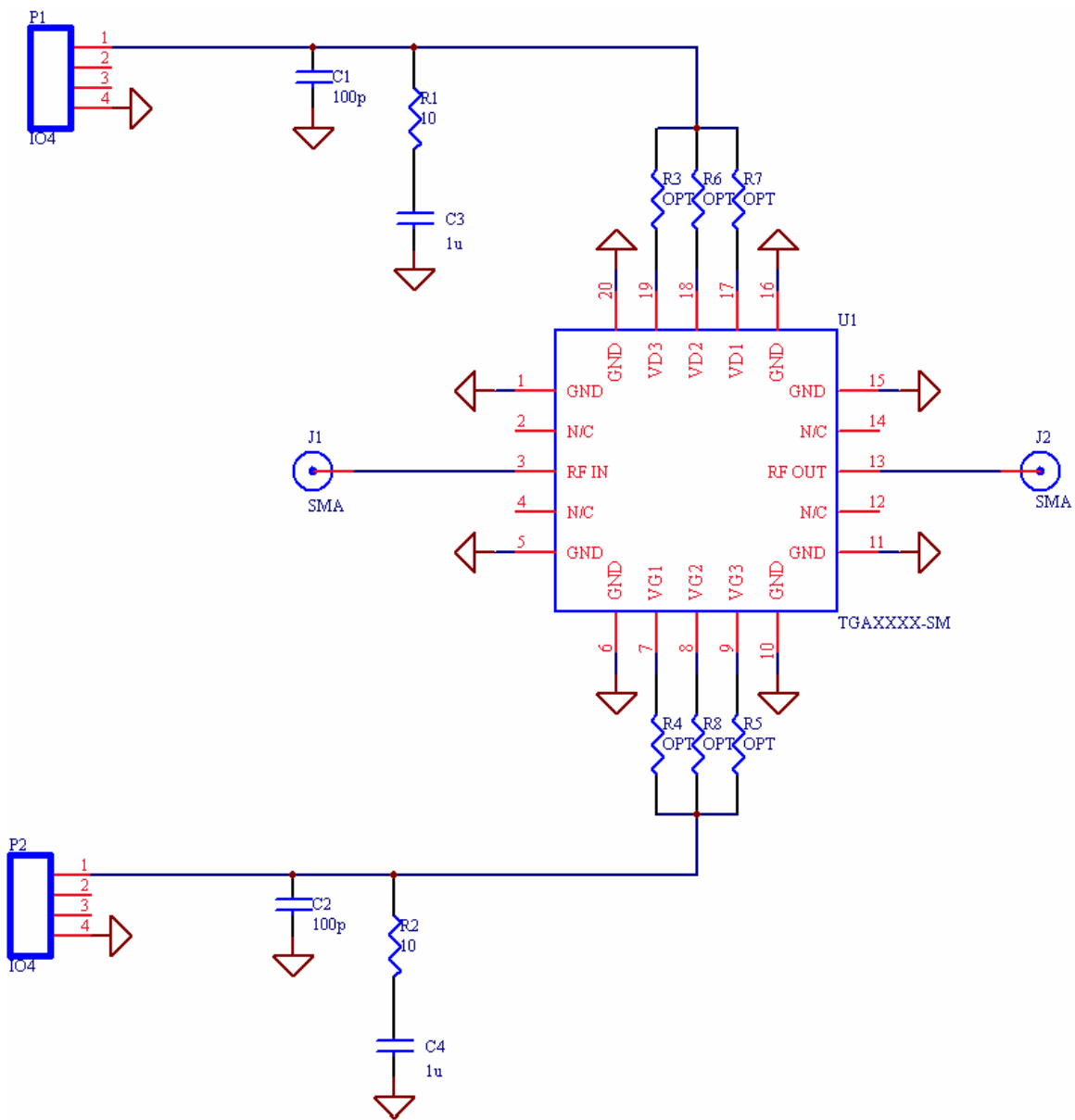
Pin	Description
1, 5, 6, 10, 11, 15, 16, 20, 21	GND
2, 4, 7, 12, 14, 19	NC
3	RF Input
8	Vg1
9	Vg2
13	RF Output
17	Vd1
18	Vd2

TGA-4902

Pin	Description
1, 5, 6, 10, 11, 15, 16, 20, 21	GND
2, 4, 7, 8, 12, 14, 18, 19	NC
3	RF Input
9	Vd
13	RF Output
17	Vg

TGA-4510

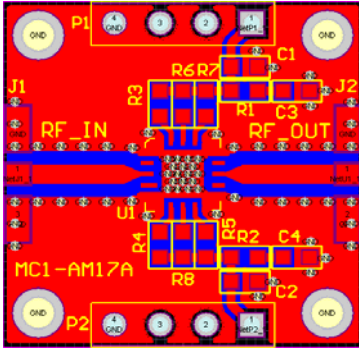
**Schematic:**



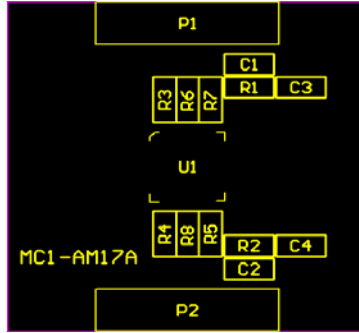
**Option Table**

	R3	R4	R5	R6	R7	R8
TGA4509-SM	Neq	0	Neq	Neq	0	Neq
TGA4902-SM	Neq	Neq	0	0	0	0
TGA4510-SM	Neq	Neq	0	Neq	0	Neq

**MC1-AM17A PCB Layout:**



**MC1-AM17A Assembly Drawing**



**Minimum supported devices and its vendors:**

Triquint
TGA4509-SM
TGA4902-SM
TGA4510-SM

**Bill of Material Example:**

Used	Part	Type	Designator	Footprint
2	1u		C3 C4	0603
2	10		R1 R2	0603
2	100p		C1 C2	0603
2	IO4		P1 P2	P2_CON4_S
6	OPT		R3 R4 R5	0603
			R6 R7 R8	
2	SMA		J1 J2	P2_RF_43