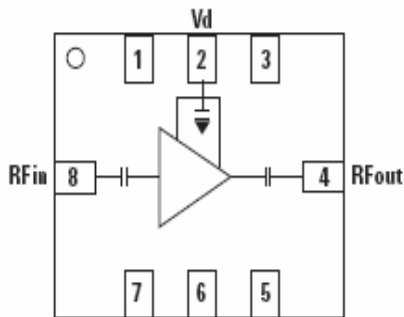
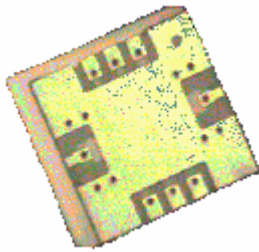


**RoHS Compliant & Pb Free Product**

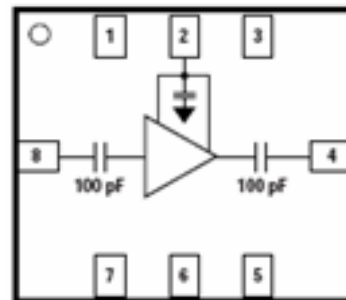
**MC1-AM16A:**

- Category: Amplifier
- Device Package: 5x5mm<sup>2</sup>
- Cell Size: Single (1x1)
- PCB Material/Layer Details: RO4350/2 layer with thickness 0.020"

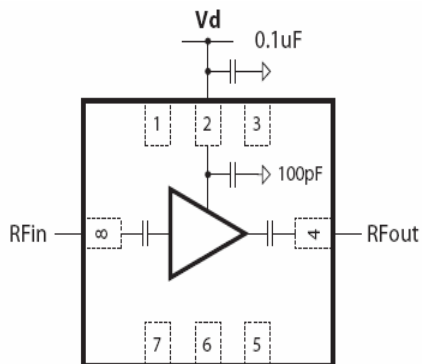
**Supported Device Package and Its Pin Allocation:**



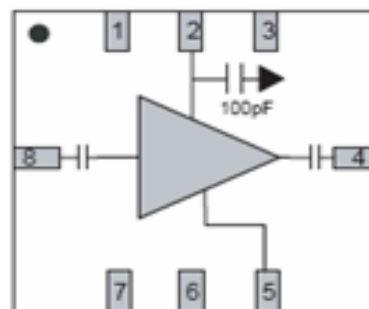
AMMP-5618



AMMP-6220

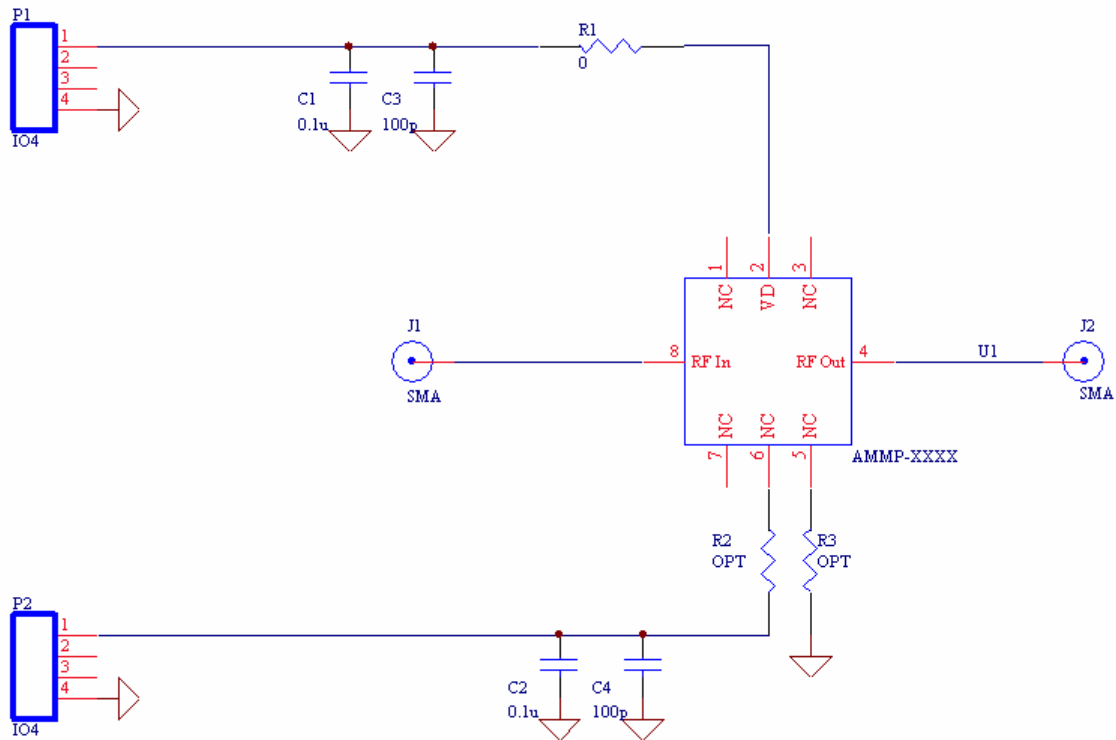


AMMP-5620



AMMP-6222

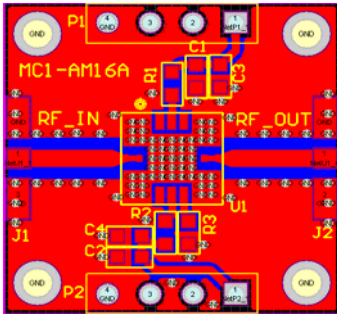
**Schematic:**



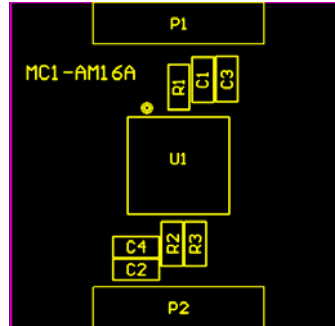
### Option Table

	R2	R3
AMMP-5618	Neq	Neq
AMMP-6220	Neq	Neq
AMMP-5620	Neq	Neq
AMMP-6222	Neq	0

### MC1-AM16A PCB Layout:



### MC1-AM16A Assembly Drawing



### Minimum supported devices and its vendors:

Avago
AMMP-5618 AMMP-6220 AMMP-5620 AMMP-6222

### Bill of Material Example:

Used	Part Type	Designator	Footprint
1	0	R1	0603
2	0.1u	C1 C2	0603
2	100p	C3 C4	0603
1	AMMP-XXXX	U1	AMMP-5618
2	IO4	P1 P2	P2_CON4_S
2	OPT	R2 R3	0603