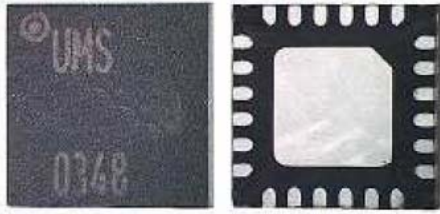


RoHS Compliant & Pb Free Product

MC1-AM15A:

- Category: Amplifier
- Device Package: QDG-24
- Cell Size: Single (1x1)
- PCB Material/Layer Details: RO4350/2 layer with thickness 0.020"

Supported Device Package and Its Pin Allocation:



1-	NC	13-	GND
2-	GND	14-	GND
3-	GND	15-	RF OUT
4-	RF IN	16-	GND
5-	GND	17-	GND
6-	GND	18-	NC
7-	NC	19-	Vd3
8-	NC	20-	NC
9-	B	21-	Vd2
10-	NC	22-	NC
11-	D	23-	Vd1
12-	NC	24-	NC

CHA3688

1- Nc	13- Nc	25- Gnd
2- Nc	14- Gnd	
3- Gnd	15- RF QUT	
4- RF IN	16- Gnd	
5- Gnd	17- Nc	
6- Nc	18- Nc	
7- Nc	19- VD3	
8- A	20- Nc	
9- B	21- VD2	
10- C	22- Nc	
11- D	23- VD1	
12- Nc	24- Nc	

LNA_PO12784

1- NC	9- D	17- NC
2- NC	10- NC	18- NC
3- GND	11- E	19- Vd1,2,3
4- RF in	12- F	20- Vd1,2,3
5- GND	13- NC	21- Vg3
6- NC	14- GND	22- Vg2
7- B	15- RF out	23- Vg1
8- C	16- GND	24- NC

CHA2069

1- Nc	13- Nc	25- Gnd
2- Nc	14- Gnd	
3- Gnd	15- RF Out	
4- RF In	16- Gnd	
5- Gnd	17- Nc	
6- Nc	18- Nc	
7- Nc	19- Nc	
8- Nc	20- Nc	
9- VG	21- Nc	
10- Nc	22- VD	
11- Nc	23- Nc	
12- Nc	24- Nc	

CHA2411

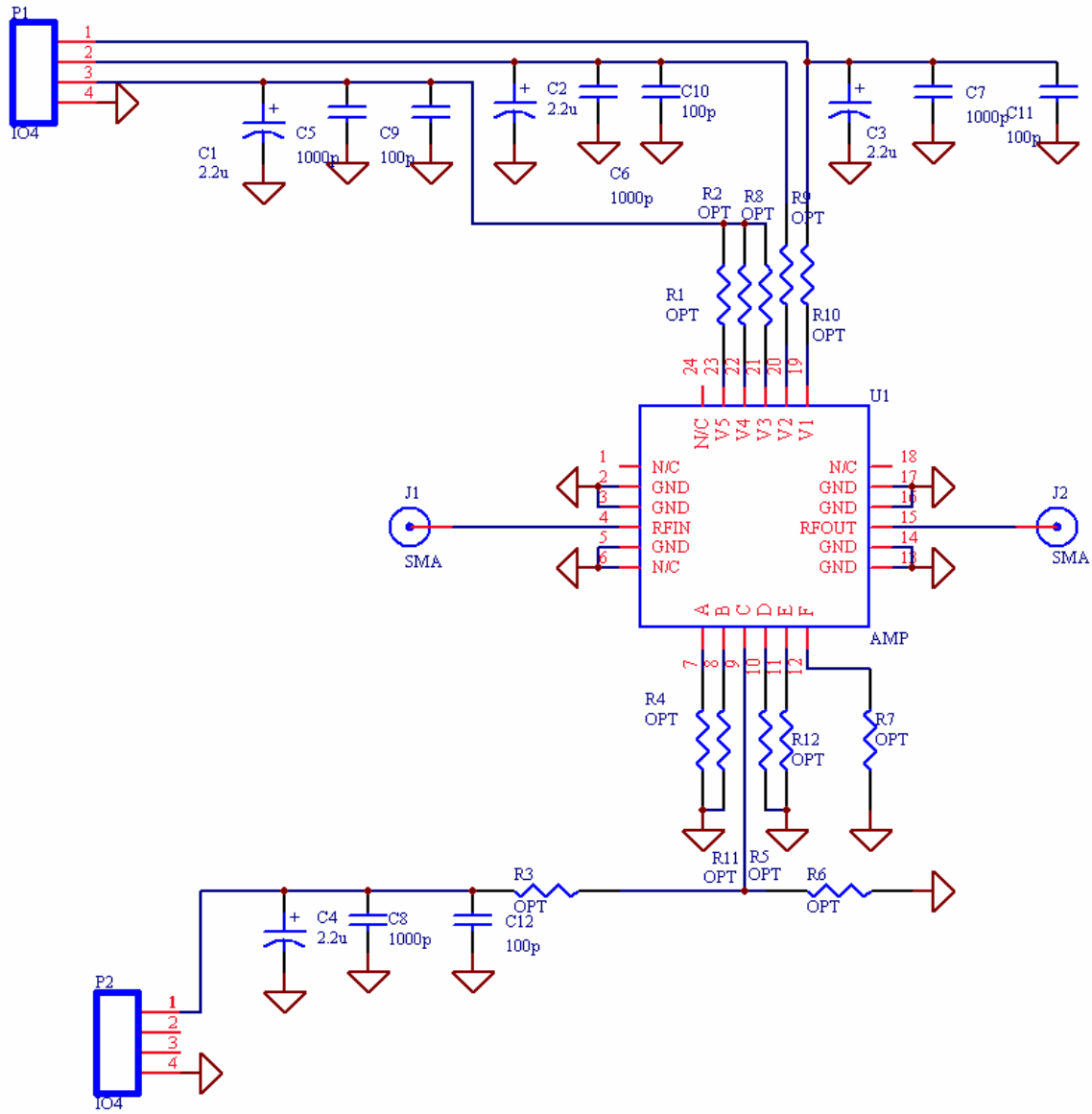
1- Nc	11- Nc	21- Nc
2- Nc	12- Nc	22- Nc
3- Gnd	13- Nc	23- Nc
4- RF IN	14- Gnd	24- Nc
5- Gnd	15- RF QUT	25- Gnd
6- Nc	16- Gnd	
7- Nc	17- Nc	
8- Nc	18- Nc	
9- Nc	19- Nc	
10- Nc	20- VD	

CHA3667

1- NC	13- GND
2- GND	14- GND
3- GND	15- RF OUT
4- RF IN	16- GND
5- GND	17- GND
6- GND	18- NC
7- NC	19- NC
8- Vg1	20- Vd
9- Vg2	21- NC
10- Vg3	22- NC
11- NC	23- NC
12- NC	24- NC

DRV_PO13651

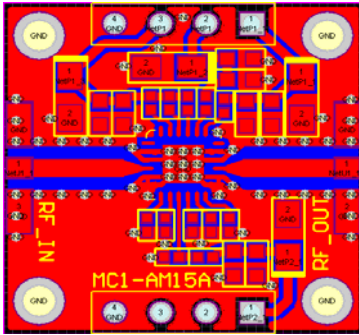
Schematic:



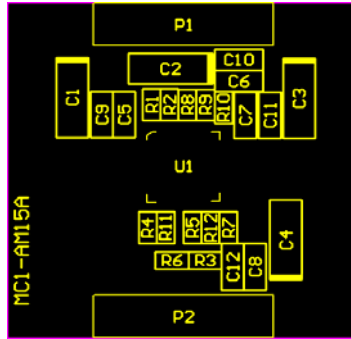
Option Table

	R1	R2	R3	R4	R5	R6	R7	R8	R9	R10	R11	R12
CHA3688QDG	0	Neq	Neq	Neq	Neq	Datasheet	Neq	0	Neq	0	Datasheet	Neq
CHA2069QDG	0	0	Neq	Datasheet	Neq	Datasheet	Datasheet	0	0	0	Datasheet	Datasheet
CHA2411QDG	Neq	Neq	0	Neq	Neq	Neq	Neq	Neq	Neq	Neq	0	Neq
CHA3667QDG	Neq	Neq	Neq	Neq	Neq	Neq	Neq	0	Neq	Neq	Neq	Neq
LNA_PO12784QDG	0	Neq	Neq	Neq	Datasheet	Datasheet	Neq	0	Neq	0	Datasheet	Datasheet

MC1-AM15A PCB Layout:



MC1-AM15A Assembly Drawing



Minimum supported devices and its vendors:

UMS
CHA3688QDG CHA2069QDG CHA241QDG CHA3667QDG LNA_PO12784QDG DRV_PO13651QDG

Bill of Material Example:

Used	Part Type	Designator	Footprint
4	2.2u	C1 C2 C3	A
		C4	
4	100p	C9 C10 C11	0603
		C12	
4	1000p	C5 C6 C7	0603
		C8	
1	AMP	U1	24L-QFN4X4
2	IO4	P1 P2	P2_CON4_S
12	OPT	R1 R2 R3	0402
		R4 R5 R6	
		R7 R8 R9	
		R10 R11	
		R12	