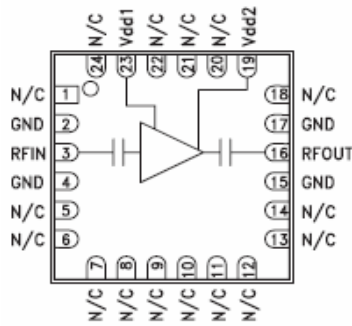


RoHS Compliant & Pb Free Product

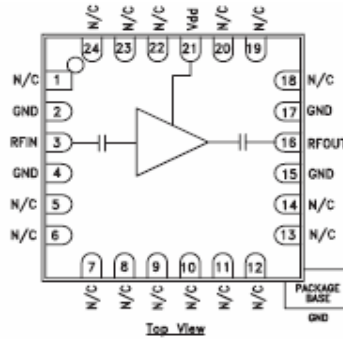
MC1-AM13A:

- Category: Amplifier
- Device Package: LC4
- Cell Size: Single (1x1)
- PCB Material/Layer Details: RO4350/2 layer with thickness 0.020"

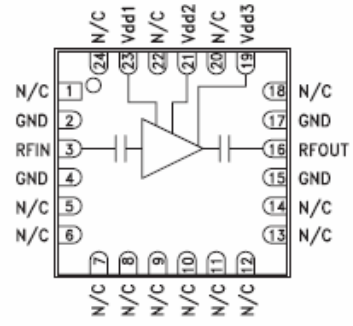
Supported Device Package and Its Pin Allocation:



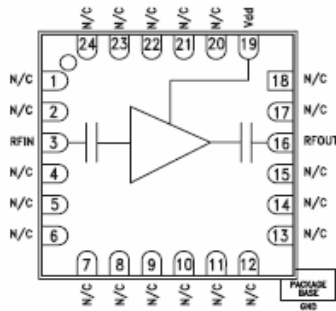
HMC564LC4



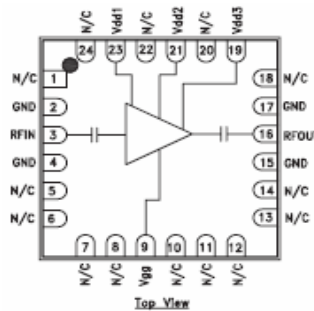
HMC342LC4



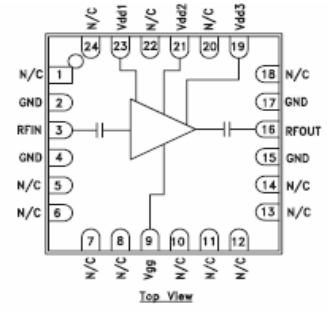
HMC517LC4



HMC383LC4

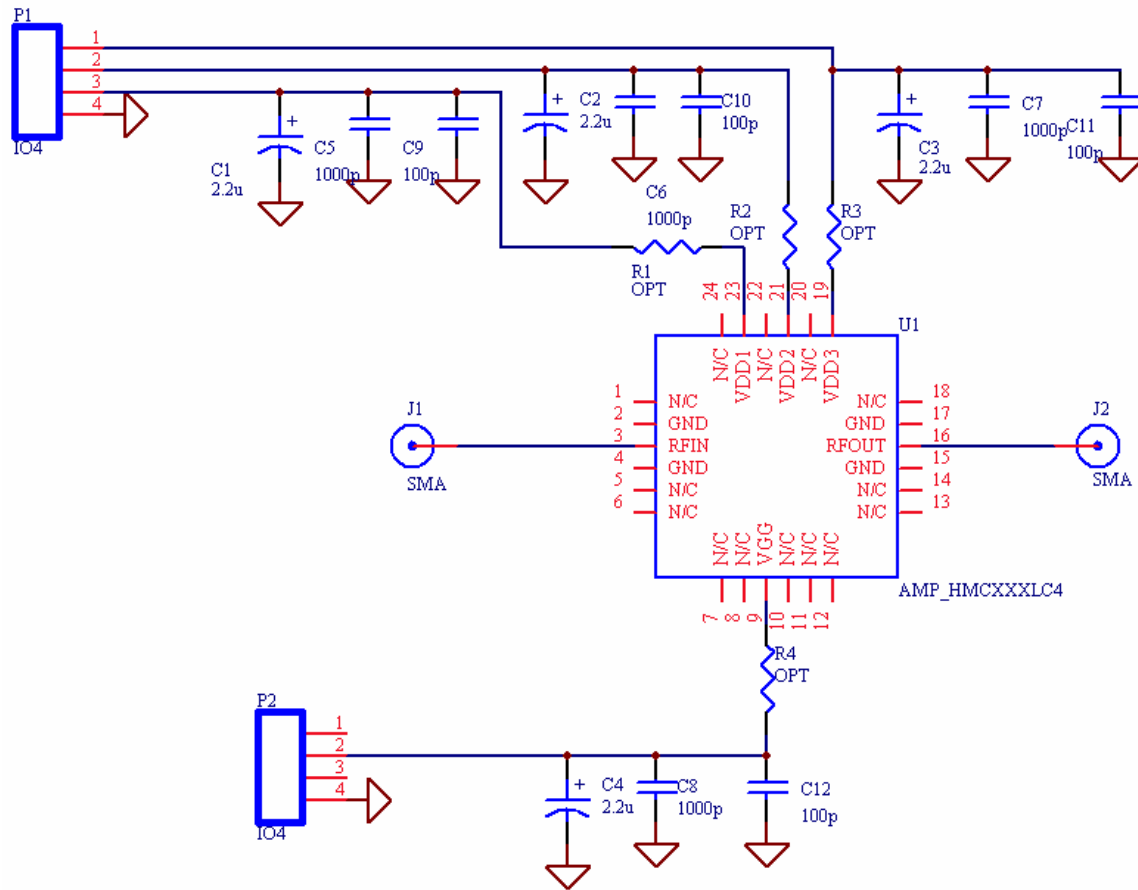


HMC498LC4



HMC499LC4

Schematic:

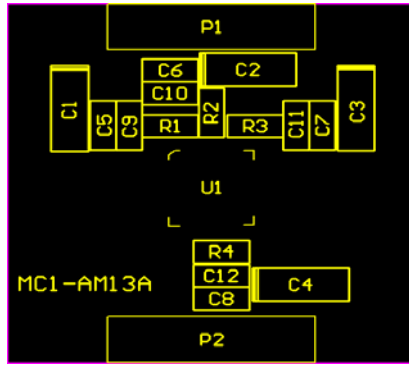
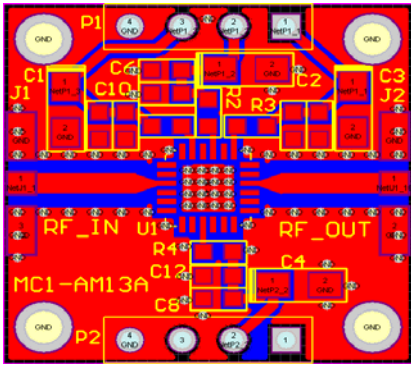


Option Table

	R1	R2	R3	R4
HMC342LC4	Neq	0	Neq	Neq
HMC383LC4	Neq	Neq	0	Neq
HMC498LC4	0	0	0	0
HMC499LC4	0	0	0	0
HMC517LC4	0	0	0	Neq
HMC564LC4	0	Neq	0	Neq

MC1-AM13A PCB Layout:

MC1-AM13A Assembly Drawing



Minimum supported devices and its vendors:

Hitite
HMC342LC4
HMC383LC4
HMC498LC4
HMC499LC4
HMC517LC4
HMC564LC4

Bill of Material Example:

Used	Part Type	Designator	Footprint
4	2.2u	C1 C2 C3	A
		C4	
4	100p	C9 C10 C11	0603
		C12	
4	1000p	C5 C6 C7	0603
		C8	
1	AMP_HMCXXXLC4	U1	IC4
2	IO4	P1 P2	P2_CON4_S
4	OPT	R1 R2 R3	0603
		R4	