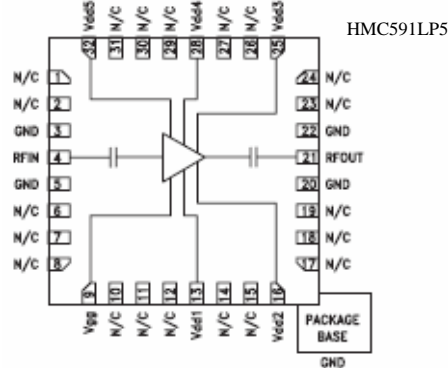
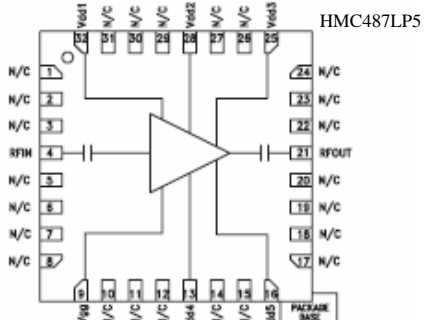
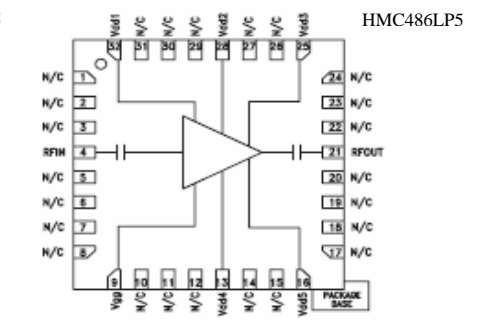
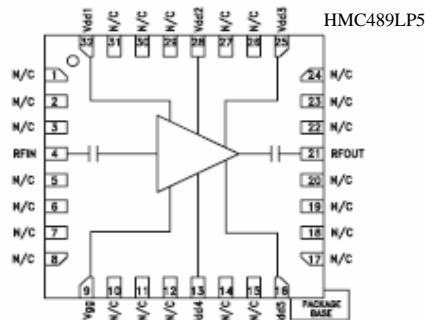
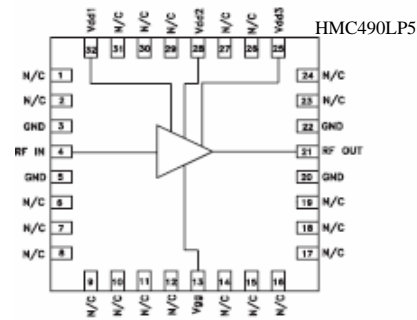


RoHS Compliant & Pb Free Product

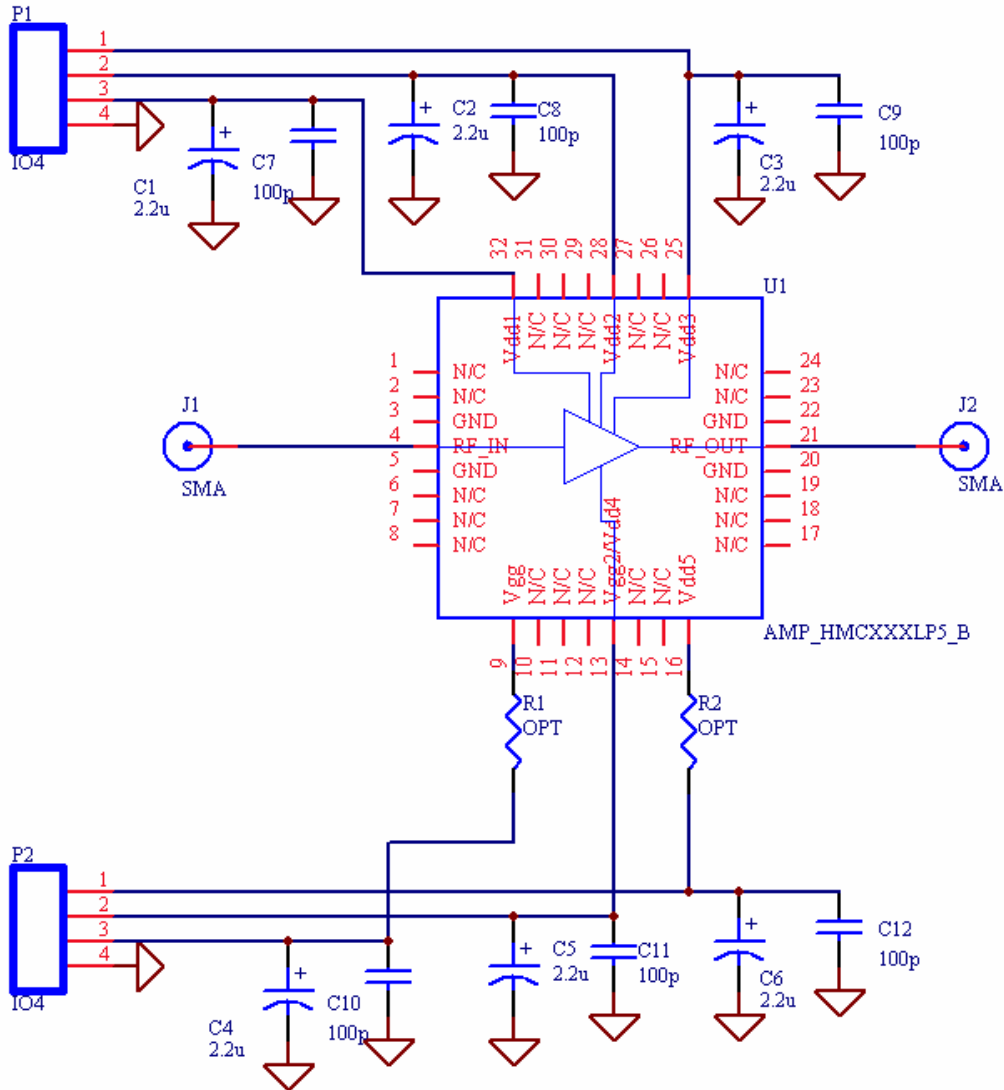
MC1-AM12A:

- Category: Amplifier
- Device Package: LP5
- Cell Size: Single (1x1)
- PCB Material/Layer Details: RO4350/2 layer with thickness 0.020”

Supported Device Package and Its Pin Allocation:



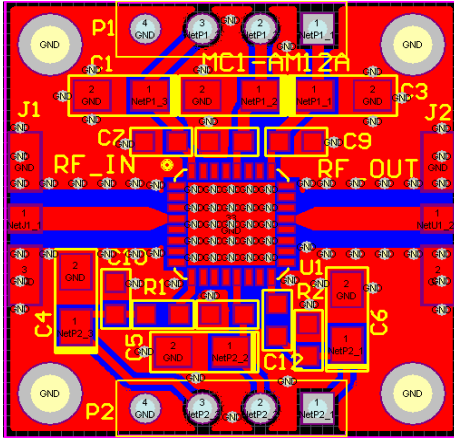
Schematic:



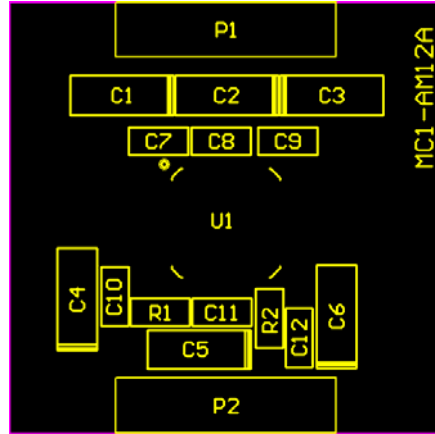
Option Table

	R1	R2
HMC486LP5	0	0
HMC487LP5	0	0
HMC489LP5	0	0
HMC490LP5	Neq	Neq
HMC591LP5	0	0

MC1-AM12A PCB Layout:



MC1-AM12A Assembly Drawing



Minimum supported devices and its vendors:

Hittite

- HMC486LP5
- HMC487LP5
- HMC489LP5
- HMC490LP5
- HMC591LP5

Bill of Material Example:

Used	Part Type	Designator	Footprint
6	2.2u	C1 C2 C3 C4 C5 C6	A
6	100p	C7 C8 C9 C10 C11 C12	0603
1	AMP_HMCXXXXLP5_B	U1	LP5
2	IO4	P1 P2	P2_CON4_S
2	OPT	R1 R2	0603