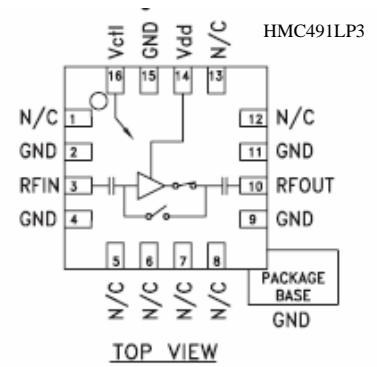
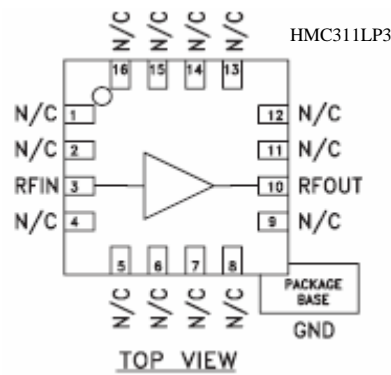
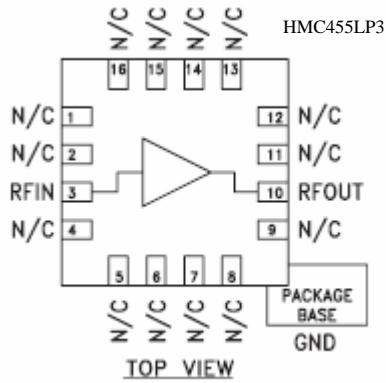


RoHS Compliant & Pb Free Product

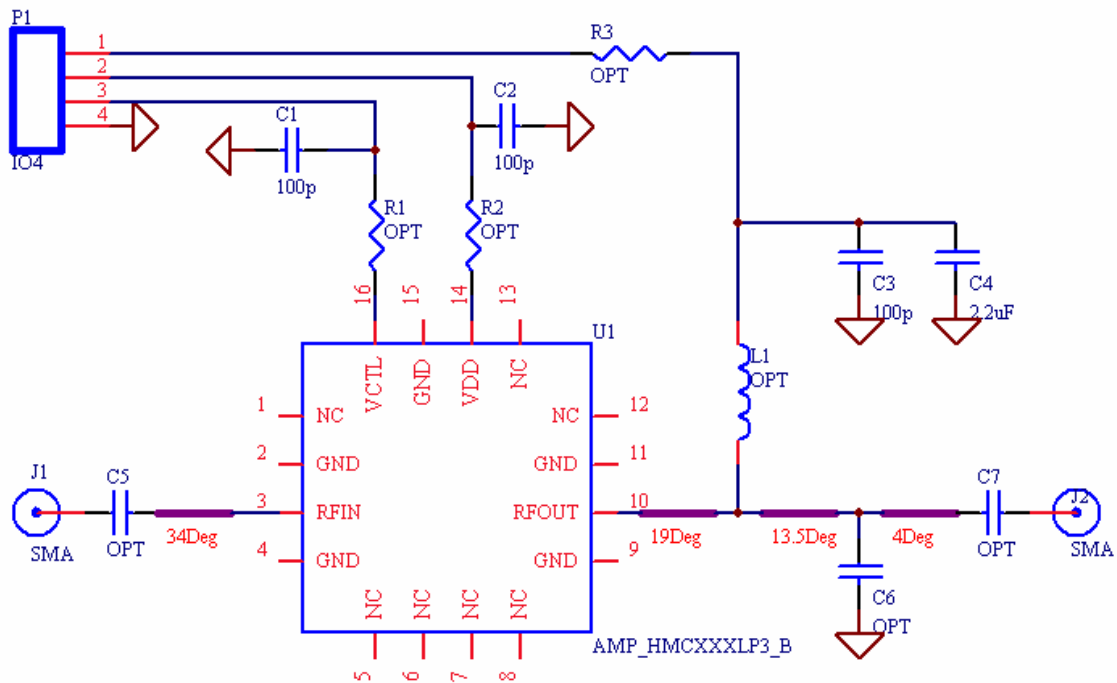
MC1-AM10A:

- Category: Amplifier
- Device Package: LP3
- Cell Size: Single (1x1)
- PCB Material/Layer Details: RO4350/2 layer with thickness 0.020"

Supported Device Package and Its Pin Allocation:



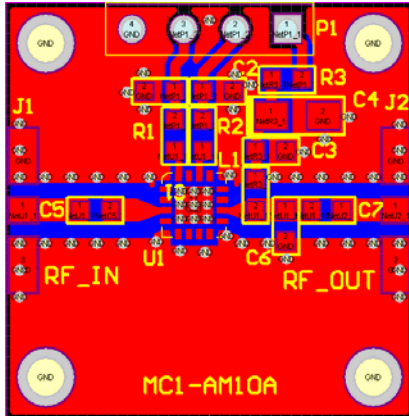
Schematic:



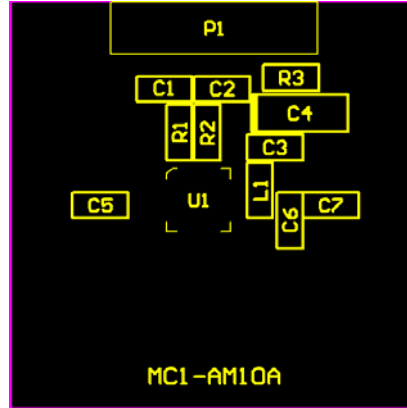
Option Table

	R1	R2	R3	L1	C5, C7	C6
HMC311LP3	Neq	Neq	22ohm	Datasheet	Datasheet	Neq
HMC455LP3	Neq	Neq	0ohm	8.2nH	3.0pF	0.9pF
HMC491LP3	0	0	Neq	Neq	0ohm Res	Neq

MC1-AM10A PCB Layout:



MC1-AM10A Assembly Drawing



Minimum supported devices and its vendors:

Hittite
HMC311LP3
HMC455LP3
HMC491LP3

Bill of Material Example:

Used	Part Type	Designator	Footprint
1	2.2uF	C4	A
3	100p	C1 C2 C3	0603
1	AMP_HMCXXXLP3_B	U1	LP3
1	IO4	P1	P2_CON4_S
7	OPT	C5 C6 C7	0603
		L1 R1 R2	
		R3	