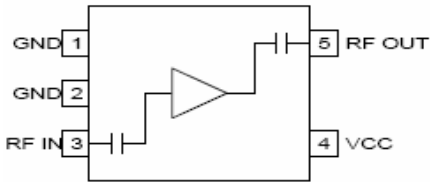


RoHS Compliant & Pb Free Product

MC1-AM07A:

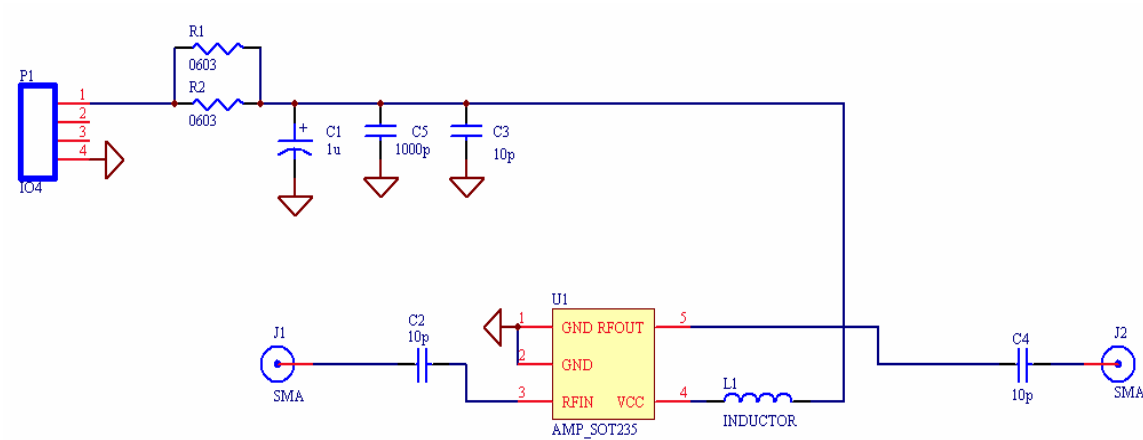
- Category: Amplifier
- Device Package: SOT-23-5
- Cell Size: Single (1x1)
- PCB Material/Layer Details: RO4350/2 layer with thickness 0.020"

Supported Device Package and Its Pin Allocation:



Pin	Function
3	RF In
5	RF Out
1,2	GND
4	Vcc

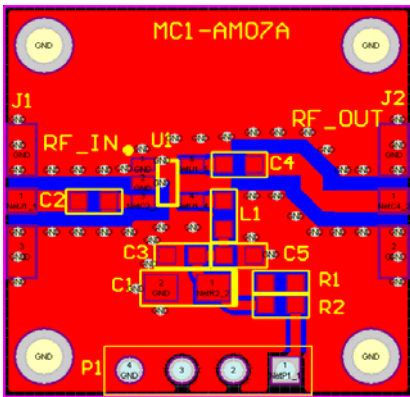
Schematic:



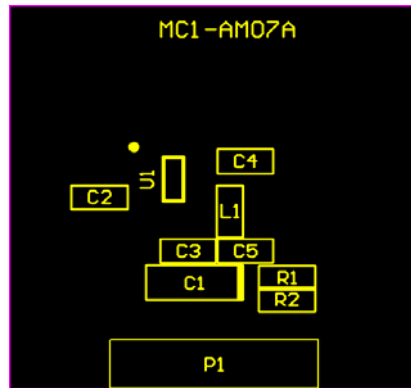
Option Table

	R1, R2	L1, C4, C5
RF2314	0	0 ohm resistor

MC1-AM07A PCB Layout:



MC1-AM07A Assembly Drawing



Minimum supported devices and its vendors:

RFMD
RF2314
RF2333
RF2334
RF2335
RF2336
RF2337
RF2338

Bill of Material Example:

Used	Part Type	Designator	Footprint
1	1u	C1	A
3	10p	C2 C3 C4	0603
2	0603	R1 R2	0603
1	1000p	C5	0603
1	AMP_SOT235	U1	SOT-23-5
1	INDUCTOR	L1	0603
1	IO4	P1	P2_CON4_S