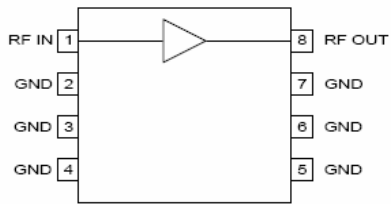


**RoHS Compliant & Pb Free Product**

**MC1-AM04A:**

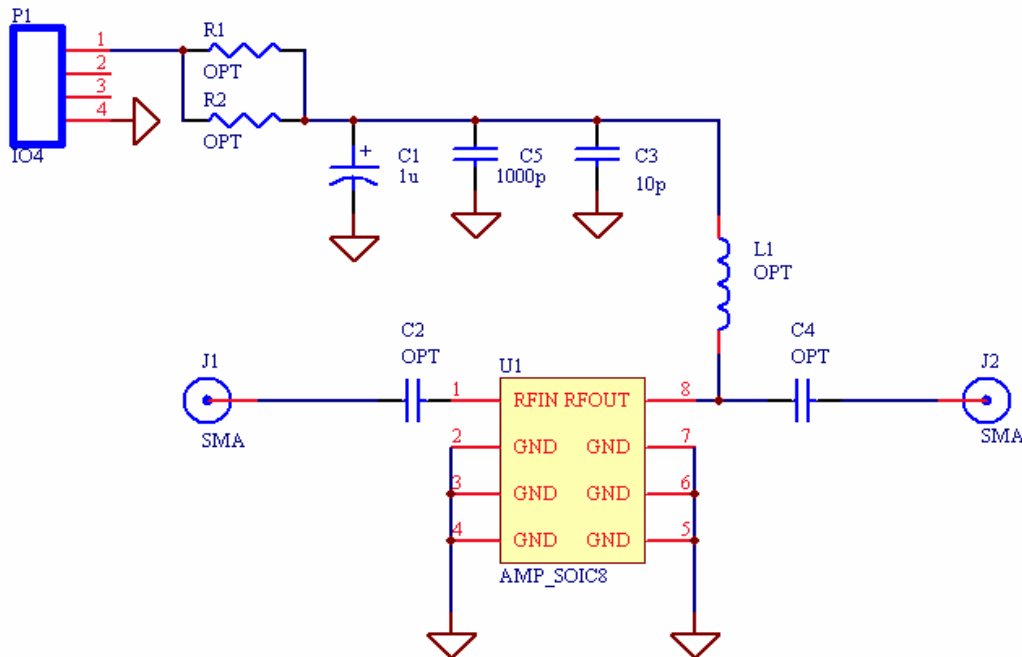
- Category: Amplifier
- Device Package: SOIC-8
- Cell Size: Single (1x1)
- PCB Material/Layer Details: RO4350/2 layer with thickness 0.020"

**Supported Device Package and Its Pin Allocation:**



Pin	Function
1	RF In
8	RF Out/Bias
2,3,4,5,6,7	GND

**Schematic:**

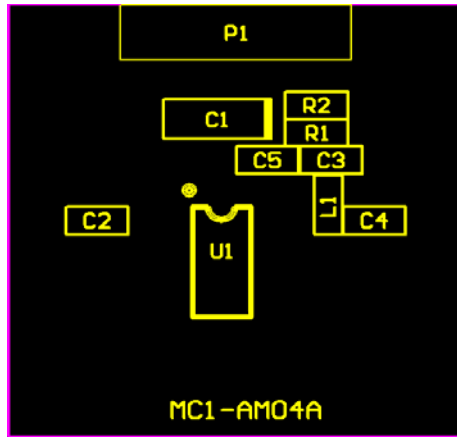
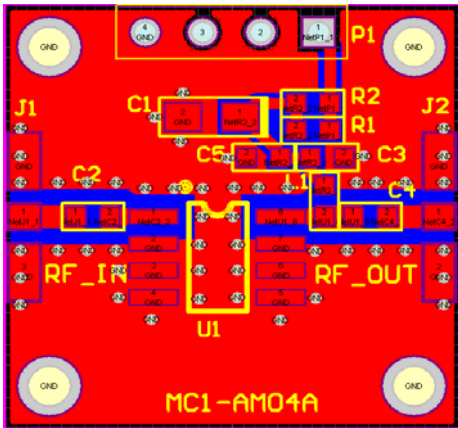


## Option Table

	R1, R2	L1, C2, C4
RFXXXX	See Datasheet	See Datasheet

**MC1-AM04A PCB Layout:**

**MC1-AM04A Assembly Drawing:**



**Minimum supported devices and its vendors:**

RFMD
RF2312 RF2318

**Bill of Material Example:**

Used	Part Type	Designator	Footprint
1	1u	C1	A
1	10p	C3	0603
1	1000p	C5	0603
1	AMP_SOIC8	U1	SOIC-8
1	IO4	P1	P2_CON4_S
5	OPT	C2 C4 L1	0603
		R1 R2	