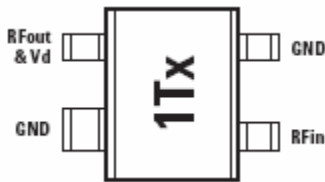


**RoHS Compliant & Pb Free Product**

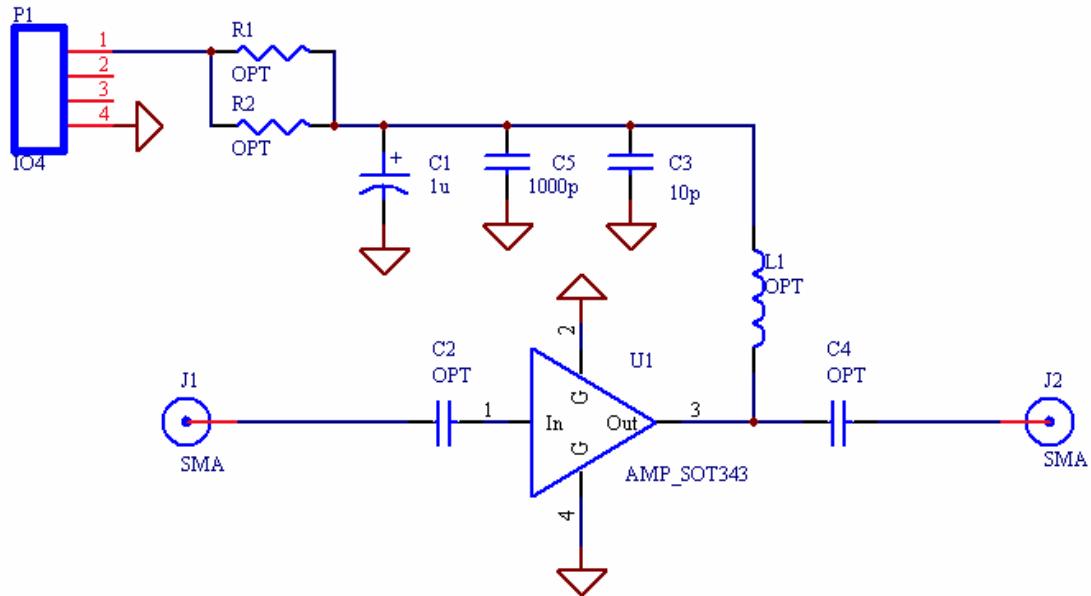
**MC1-AM06A:**

- Category: Amplifier
- Device Package: SOT143
- Cell Size: Single (1x1)
- PCB Material/Layer Details: RO4350/2 layer with thickness 0.020"

**Supported Device Package and Its Pin Allocation:**



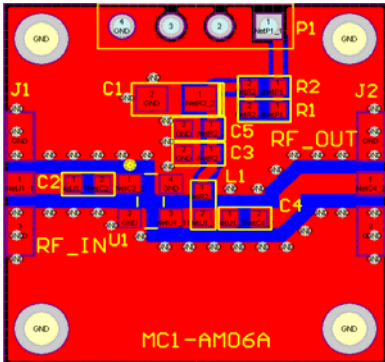
**Schematic:**



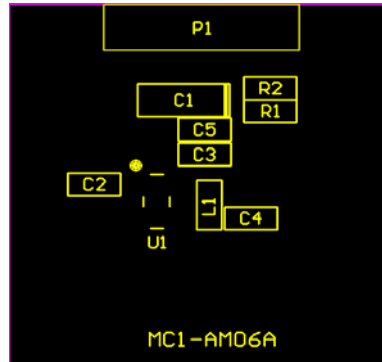
**Option Table**

|          | R1, R2        | L1, C2, C4    |
|----------|---------------|---------------|
| MSA-XXXX | See Datasheet | See Datasheet |

**MC1-AM06A PCB Layout:**



**MC1-AM06A Assembly Drawing:**



**Minimum supported devices and its vendors:**

| Avago    |
|----------|
| MSA-0311 |
| MSA-0611 |
| MSA-0711 |
| MSA-2011 |
| MSA-2111 |
| MSA-3111 |

**Bill of Material Example:**

| Used | Part Type  | Designator | Footprint |
|------|------------|------------|-----------|
| 1    | 1u         | C1         | A         |
| 1    | 10p        | C3         | 0603      |
| 1    | 1000p      | C5         | 0603      |
| 1    | AMP_SOT343 | U1         | SOT-143   |
| 1    | IO4        | P1         | P2_CON4_S |
| 5    | OPT        | C2 C4 L1   | 0603      |
|      |            | R1 R2      |           |