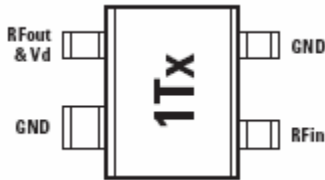


RoHS Compliant & Pb Free Product

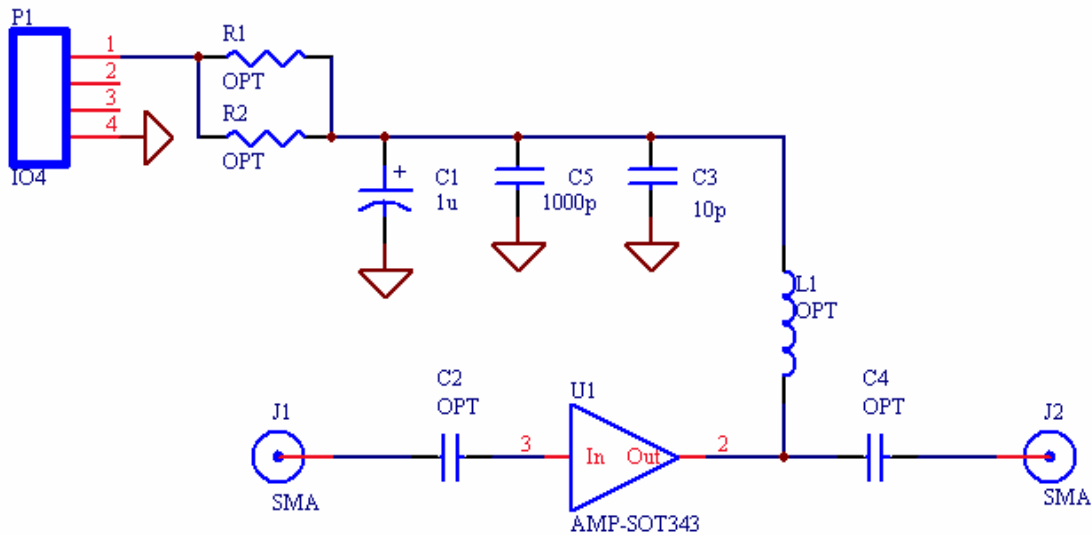
MC1-AM05A:

- Category: Amplifier
- Device Package: SOT-343
- Cell Size: Single (1x1)
- PCB Material/Layer Details: RO4350/2 layer with thickness 0.020"

Supported Device Package and Its Pin Allocation:



Schematic:

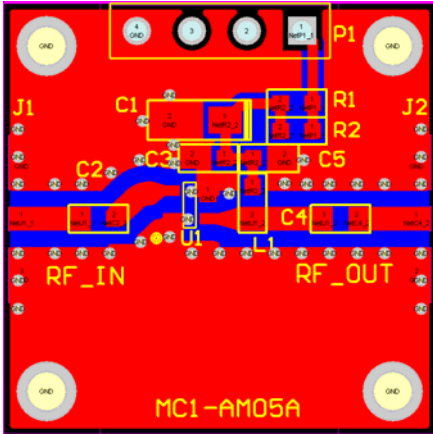


Option Table

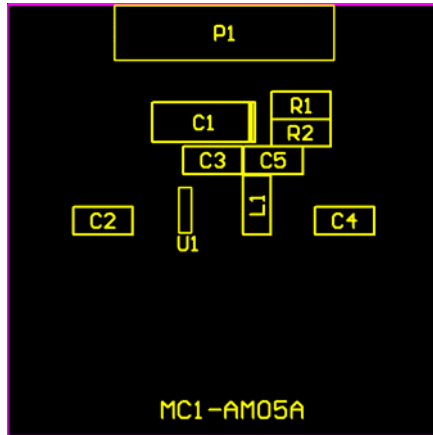
	R1, R2	L1, C2, C4
ADA-XXXX	See Datasheet	See Datasheet
MGA-XXXXX	See Datasheet	See Datasheet



MC1-AM05A PCB Layout:



MC1-AM05A Assembly Drawing:



Minimum supported devices and its vendors:

Avago
ADA-4543
ADA-4643
ADA-4743
MGA-52543
MGA-53543
MGA-71543
MGA-72543

Bill of Material Example:

Used	Part Type	Designator	Footprint
1	1u	C1	A
1	10p	C3	0603
1	1000p	C5	0603
1	AMP-SOT343	U1	SOT-343
1	IO4	P1	P2_CON4_S
5	OPT	C2 C4 I1	0603
		R1 R2	