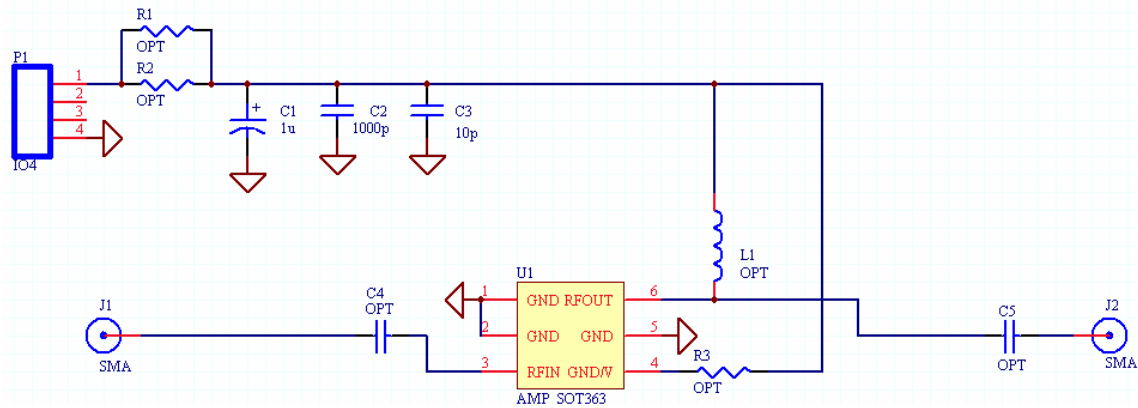


**RoHS Compliant & Pb Free Product**
**MC1-AM01A:**

- Category: Amplifier
- Device Package: SOT363
- Cell Size: Single (1x1)
- PCB Material/Layer Details: RO4350/2 layer with thickness 0.020"

**Supported Device Package and Its Pin Allocation:**


Pin	Function
3	RF In
1,2,4,5	GND
6	RF Out/Bias

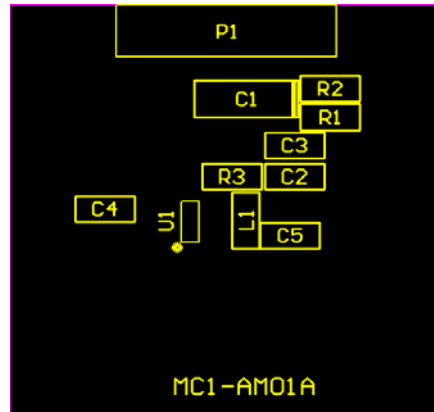
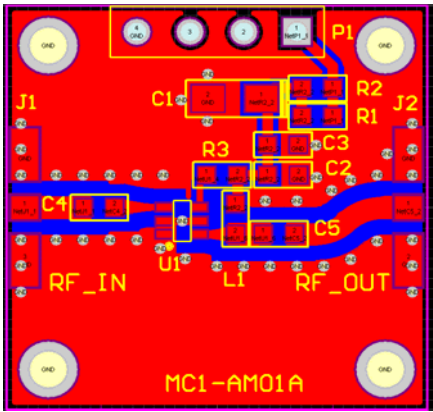
**Schematic:**


## Option Table

	R3	R1, R2	C4, C5	L1
AGXXX-63	Connect Pin 4 and 5	See Datasheet	See Datasheet	See Datasheet
SGA-XX63	Connect Pin 4 and 5	See Datasheet	See Datasheet	See Datasheet
ABA-XXX63	0	0	See Datasheet	See Datasheet
MGA-XXX63	See Datasheet	See Datasheet	See Datasheet	See Datasheet

**MC1-AM01A PCB Layout:**

**MC1-AM01A Assembly Drawing:**



**Minimum supported devices and its vendors:**

WJ	Sirenza	Avago
AG201-63	SGA-0163	ABA-31563
	SGA-0363	ABA-32563
AG203-63	SGA-1163	ABA-51563
AG302-63	SGA-1263	ABA-52563
	SGA-2163	ABA-53563
	SGA-2263	ABA-54563
	SGA-2363	
	SGA-2463	MGA-61563
	SGA-3263	MGA-62563
	SGA-3363	MGA-81563
	SGA-3463	MGA-82563
	SGA-3563	MGA-83563
	SGA-4263	MGA-85563
	SGA-4163	MGA-86563
	SGA-4363	MGA-87563
	SGA-4463	
	SGA-4563	
	SGA-5263	

**Bill of Material Example:**

Used	Part Type	Designator	Footprint
1	1u	C1	A
1	10p	C3	0603
1	1000p	C2	0603
1	AMP_SOT89	U1	SOT-89
1	IO4	P1	P2_CON4_S
5	OPT	C4 C5 L1 R1 R2	0603