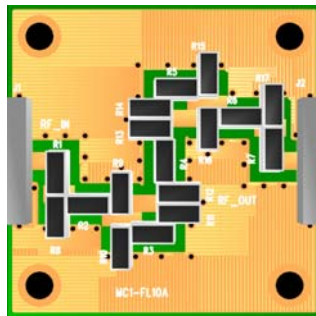


**RoHS Compliant & Pb Free Product**

**MC1-FL10A**

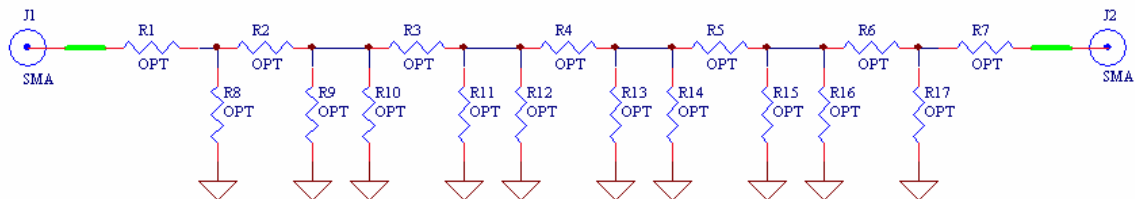
- Category: Filters
- Device Packages : 0603 or 0402 RLCs (Passive)
- Cell Size: Single (1x1)
- PCB Material/Layer Details: RO4350/2 layer with thickness 0.020"

**Supported Device Package and Its Pin Allocation:**

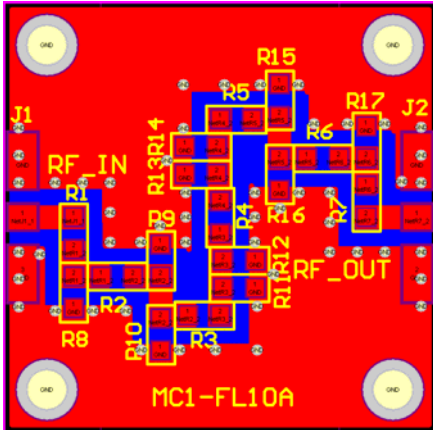


RLCs (06x03)

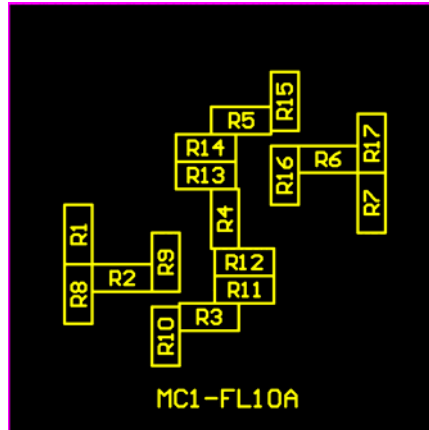
**Schematic:**



MC1-FL10A PCB Layout:



MC1-FL10A Assembly Drawing:



**Minimum supported devices and its vendors:**

RLCs with either 0603 or 0402 sizes

**Bill of Material Example:**

RLCs with either 0603 or 0402 sizes