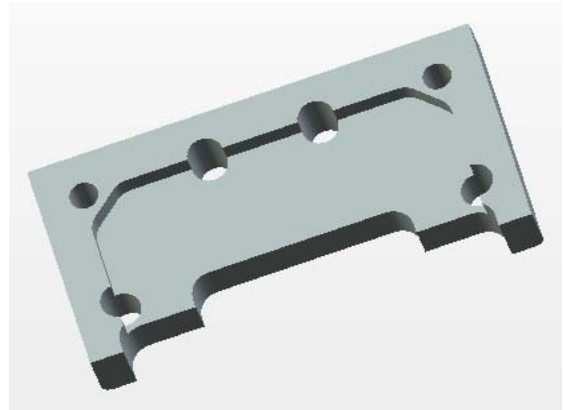
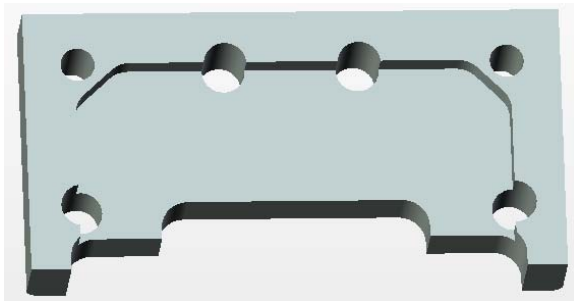


RoHS Compliant & Pb Free Product

M-BS02A

- Category: Mechanical Single & Dynamic Cell
- Material: Aluminum 6061-T6
- Unit: mm
- Cell Size: Single Cell
- Application: Half cell base

M-BS02A: E-drawing



M-BS02A: Drawing

