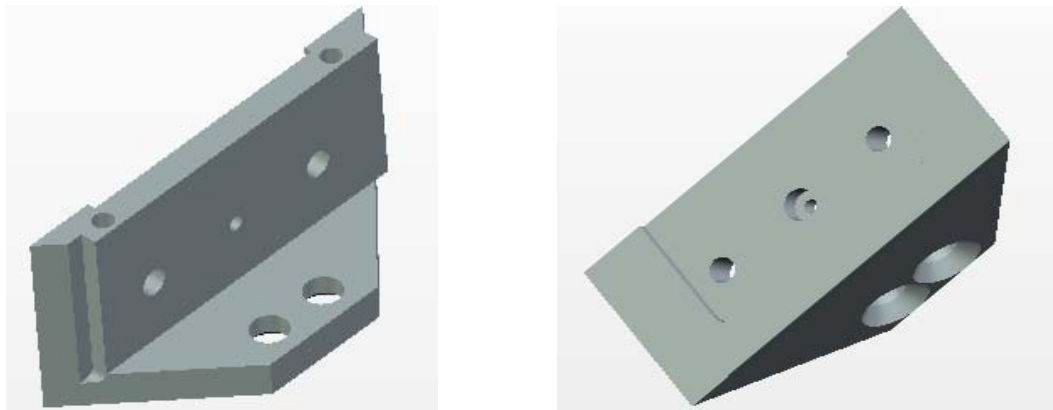


RoHS Compliant & Pb Free Product

M-WL02A

- Category: Single Cell
- Material: Aluminum 6061-T6
- Unit: mm
- Cell Size: Single Cell
- Application: Single cell side wall with K connector

M-WL02A: E-drawing



M-WL02A: Drawing

