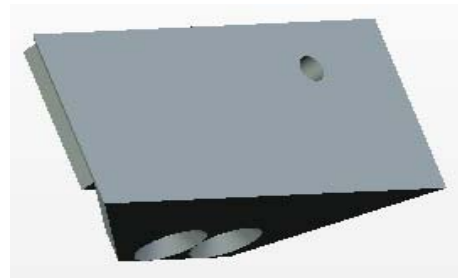
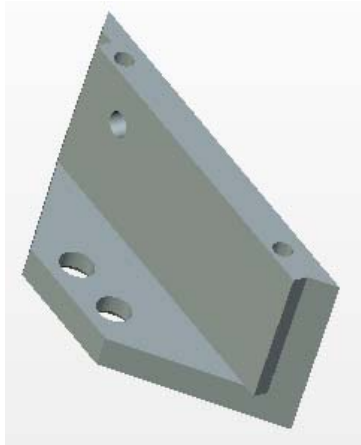


***RoHS Compliant & Pb Free Product***

**M-WL04A**

- Category: Single Cell
- Material: Aluminum 6061-T6
- Unit: mm
- Cell Size: Single Cell
- Application: Single cell side wall with mounting hole

**M-WL04A: E-drawing**



**M-WL04A: Drawing**

