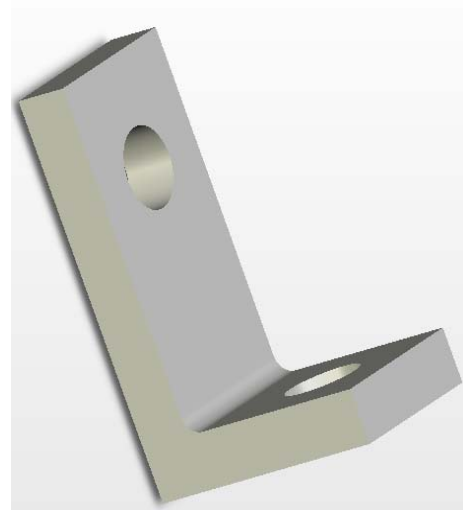
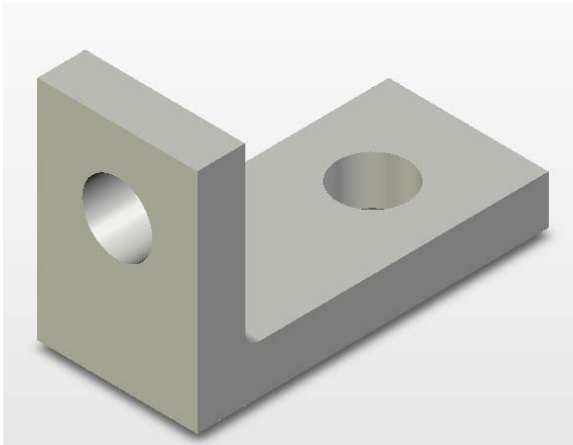


RoHS Compliant & Pb Free Product

M-MB01A

- Category: Single Cell
- Material: Aluminum 6061-T6
- Unit: mm
- Cell Size: Single Cell
- Application: Single cell mounting bracket

M-MB01A: E-drawing



M-MB01A: Drawing

